

Floodlight Series 6121

- For use in
 - Zone 1 and Zone 2
 - Zone 21 and Zone 22
- Lamp options
 - halogen lamps (QT) up to 1000 W
 - halogen metal halide lamps (HIT) up to 400 W
 - sodium vapour high pressure lamps (HST) up to 600 W
- Housing in cast aluminium
- Mounting components in hot galvanized steel
- The floodlight can be adjusted in 15° or 30° increments

10255E00

STAHL

Explosion protected flood lights series 6121 are designed for large area lighting in industrial outdoor and indoor installations.

Zones 1 & 2, 21 & 22




Selection Table								
Version	Lamps ¹⁾	Lamp holder	Lamp wattage	Temperature class at T _a =		T _{O max.} at T _a = 40 °C	Order number	Weight kg
				40 °C	50 °C			
IIC floodlight, size 2, Series 6121/52..	QT	E 27	250 W	T3	T3	170 °C	6121/5211-125-01	23.000
	HST	E 27	70 W	T4	T4	100 °C	6121/5211-307-01	30.000
	HIT / HST	E 40	150 W	T4	T3	130 °C	6121/5212-615-01	28.000
	HIT / HST	E 40	250 W	T3	--	160 °C	6121/5212-625-01	25.000
IIC floodlight, size 3, Series 6121/53..	QT	E 40	max. 500 W max. 1000 W	T3	T2	200 °C	6121/5312-150-01	29.000
				T2	--	270 °C		
	HIT / HST	E 40	250 W	T4	T3	140 °C	6121/5312-625-01	32.500
	HIT / HST	E 40	400 W	T3	T3	200 °C	6121/5312-640-01	34.000
	HST	E 40	600 W	T3	--	200 °C	6121/5312-360-01	32.000
Order Number Supplement								
Compensation	without compensation						6121/.....-0..	0.300
	with compensation						6121/.....-1..	
Note	The light fittings are supplied without lamps. Please order them as accessories.							
	¹⁾ QT → Halogen lamps HIT → Metal halide lamps HST → High-pressure sodium lamps HIT / HST → Metal halide lamps / High-pressure sodium lamps							

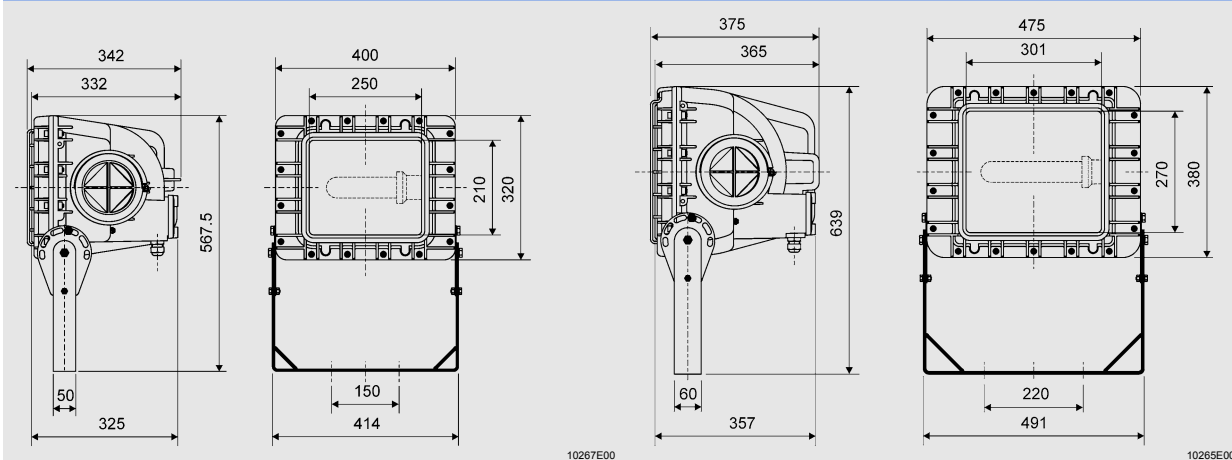
Selection Table								
Version	Lamps ¹⁾	Lamp holder	Lamp wattage	Temperature class at T _a =		T _{O max.} at T _a = 40 °C	Order number	Weight kg
				40 °C	50 °C			
IIB floodlight, size 2, Series 6121/62..	QT	E 27	250 W	T3	--	190 °C	6121/6211-125-0120-100	25.000
	QT	E 40	500 W	T3	--	190 °C	6121/6212-150-0120-100	25.000
	QT	R7s	300 W	T3	--	190 °C	6121/6213-130-0120-100	25.000
	QT	R7s	500 W	T2	--	190 °C	6121/6213-150-0120-100	25.000
	HIT / HST	E 27	70 W	T3	--	190 °C	6121/6211-607-1121-230	26.000
	HIT / HST	E 40	150 W	T3	--	190 °C	6121/6212-615-1121-230	27.000
	HIT / HST	E 40	250 W	T3	--	190 °C	6121/6212-625-1121-230	28.500
	HIT	E 40	400 W	T3	--	190 °C	6121/6212-240-0121-230	30.000
	HST	E 40	400 W	T3	--	190 °C	6121/6212-340-1121-230	30.000
Order Number Supplement								
Compensation	without compensation						6121/.....-0..	0.300
	with compensation						6121/.....-1..	
Reflector	wide beam						6121/..1.....	
	narrow beam						6121/..2.....	
Note	The light fittings are supplied without lamps. Please order them as accessories.							
	¹⁾ QT → Halogen lamps HIT → Metal halide lamps HST → High-pressure sodium lamps HIT / HST → Metal halide lamps / High-pressure sodium lamps							

Technical Data			
Version	6121/52 size 2 IIC	6121/53 size 3 IIC	6121/62 size 2 IIB
Explosion protection			
Gas explosion protection	⊕ II 2 G EEx de IIC T4 ... T2	⊕ II 2 G EEx de IIC T4 ... T2	⊕ II 2 G Ex de IIB T2, T3
Dust explosion protection	⊕ II 2 D IP67 T100 °C ... T170 °C	⊕ II 2 D IP67 T140 °C ... T270 °C	⊕ II 2 D Ex td A21 IP67 T190 °C or T290 °C
Certificates			
Gas explosion protection	PTB 04 ATEX 1100	PTB 04 ATEX 1021	PTB 05 ATEX 1105
Dust explosion protection	PTB 04 ATEX 1100	PTB 04 ATEX 1021	PTB 05 ATEX 1105
Rated operational voltage U _e	Standard: 230 V +/- 6 %, AC, 50 Hz Special: 220 V AC or 240 V AC; 50 Hz or 60 Hz		max. 230 V (240 V on request)
Power factor cos φ	cos φ ≥ 0.9 (compensated)		cos φ ≥ 0.9 (compensated)
Material			
Enclosure material	seawater resistant cast aluminium		seawater resistant cast aluminium
Lens	Safety glass		Safety glass
Reflector	Aluminium, high polished		Aluminium, high polished
Light aperture	broad bowl		narrow bowl
Exchange of lamps	Sideways aperture for lamp exchange, closed via threaded lid		Sideways aperture for lamp exchange, closed via threaded lid
Operating temperature range	- 20 ... + 40 °C / 50 °C		- 25 ... + 45 °C
Position of normal use	Horizontal mounting		all directions other than upwards possible
Type of Protection	IP66 / IP67		IP67
Connection	L1 + N + PE, max. 4 mm ² solid/flexible		L + N, 2 x 2.5 mm ²
Assembly	Steel bracket, defined inclination possible		Steel bracket, defined inclination possible
Cable entry	1 cable gland M 25 x 1.5; 1 stopping plug M 25 x 1.5		1 cable gland M 25 x 1.5; 1 stopping plug M 25 x 1.5
Compensation	Compensation unit in aluminium alloy, mounted at the backside of the floodlight		Standard with compensation

Accessories and Spare Parts

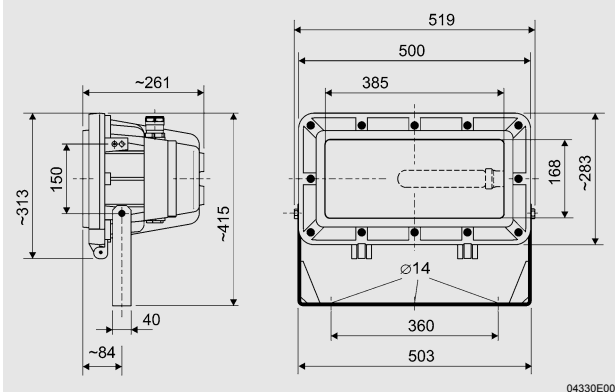
Designation	Illustration	Description	Order number	Weight kg			
Halogen lamps QT	 05355E00	Power	Lamp holder	Voltage	Lighting current		
		230 W	E 27	230 V	4200 lm	108873	0.080
		500 W	E 40	230 V	10000 lm	108874	0.132
		300 W	R7s	230 V	5000 lm	109505	0.014
		500 W	R7s	230 V	9500 lm	109506	0.014
Halogen metal halide lamps HIT		70 W	E 27	230 V	6500 lm	109128	0.090
		150 W	E 40	230 V	14000 lm	109130	0.175
		250 W	E 40	230 V	20000 lm	109132	0.200
		400 W	E 40	230 V	31500 lm	109134	0.235
High pressure sodium lamps HST		70 W	E 27	230 V	6000 lm	109127	0.070
		150 W	E 40	230 V	15000 lm	109129	0.170
		250 W	E 40	230 V	28000 lm	109131	0.213
		400 W	E 40	230 V	48000 lm	109133	0.210

Dimensional Drawings (All Dimensions in mm) - Subject to Alterations



IIC floodlight, size 2, 6121/52..

IIC floodlight, size 3, 6121/53..



IIB floodlight, size 2, 6121/62..

We reserve the right to make alterations to the technical data, weights, dimensions, designs and products available without notice. The illustrations cannot be considered binding.

