



01696e00

Portable Lamps Series 6143

- For Use in Zones 1, 2, 21, 22
- With or without emergency light function
- Robust, easy-to-maintain design
- 3-position switch
 - Half strength
 - Full strength
 - OFF
- Residual charge indicator
- Deep discharge protection
- Maintenance-free, long-life NiCD battery
- Narrow or wide beam reflectors

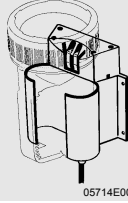
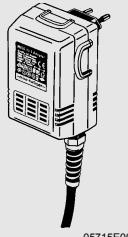

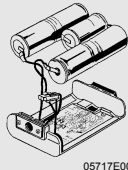





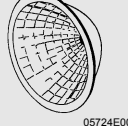
Selection Table

Version	Description	Order number	Weight kg
6143/3 Portable lamps	Portable lamp without emergency light function	6143/3-65	1.540
	Portable lamp with emergency light function	6143/4-65	1.560
6143/9 Charging units	Charging unit with power supply unit 230 V AC, 50 Hz	6143/95	1.230
	Charging unit without power supply unit Input voltage 12 ... 30 V DC	6143/94	0.670
6143 portable lamps are supplied with batteries and lamps			

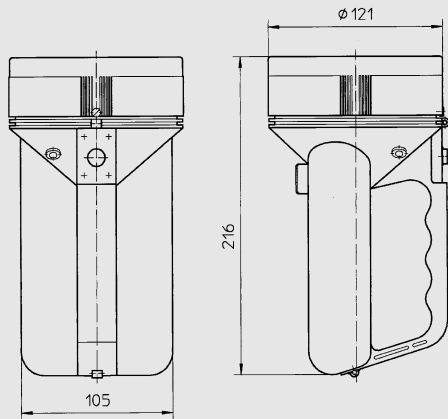
Zones 1 & 2, 21 & 22



Technical Data	
Explosion protection	
Gas explosion protection	⊕ II 2 G EEx e ib IIC T* (* T4 at T _a ≤ 35 °C; T3 at T _a ≤ 40 °C)
Dust explosion protection	⊕ II 2 D IP66 T ₀ ** (** 135 °C at T _a ≤ 35 °C; 200 °C at T _a ≤ 40 °C)
Certificates	
Gas explosion protection	VTT 04 ATEX 009X
Dust explosion protection	VTT 04 ATEX 009X
Enclosure material	Moulded plastic, antistatic, impact-resistant
Type of Protection	IP66
Lamps	Halogen lamp 2,4 W
Light aperture	∅ 100 mm
Reflector	Standard: Spot light Special: wide beam reflector (spot-light with ambient light)
Reflector	Mirror finish aluminium reflector
Switch	3-position switch, Half / Full / OFF
Luminance time per charge	
Half strength	15 h
Full strength	10 h
Elektronics	
Residual charge indicator	At 5 % ... 10 % residual charge in battery, lamp flashes at 15 second intervals. Remaining operating time is between 10 and 30 minutes - depending on light intensity and battery condition.
Deep discharge protection	Automatic switch-off before deep discharge
Battery	NiCd; 6 V; 5,0 Ah
Ambient temperature	- 20 ... + 35 °C / 40 °C
Emergency light function	Portable lamp with emergency light function 6143/4-65 On power failure, this lamp, when parked in its charging unit, automatically comes on and illuminates the surroundings. A green LED on the enclosure indicates readiness for operation.
Charging unit	
Application	For fixed mounting outside hazardous area Note: Mounting and battery charging are allowed only outside explosion risk area!
Material of enclosure	Aluminium, lackiert
Type of protection	IP 44
Function	Charging starts when lamp is inserted in to charging unit green LED (charging indicator): ON
Charging	When fully charged, charging unit switches to trickle charge, which keeps battery fully charged. Green LED indicator flashes.
Charging time	9 h ... 10 h
Supply voltage	12 ... 30 V, DC
Charging current	650 mA
Trickle charging current	190 mA
Operating temperature range	- 0 ... + 40 °C
Power supply unit (680 666 0)	Input 230 V AC Output 12 V DC

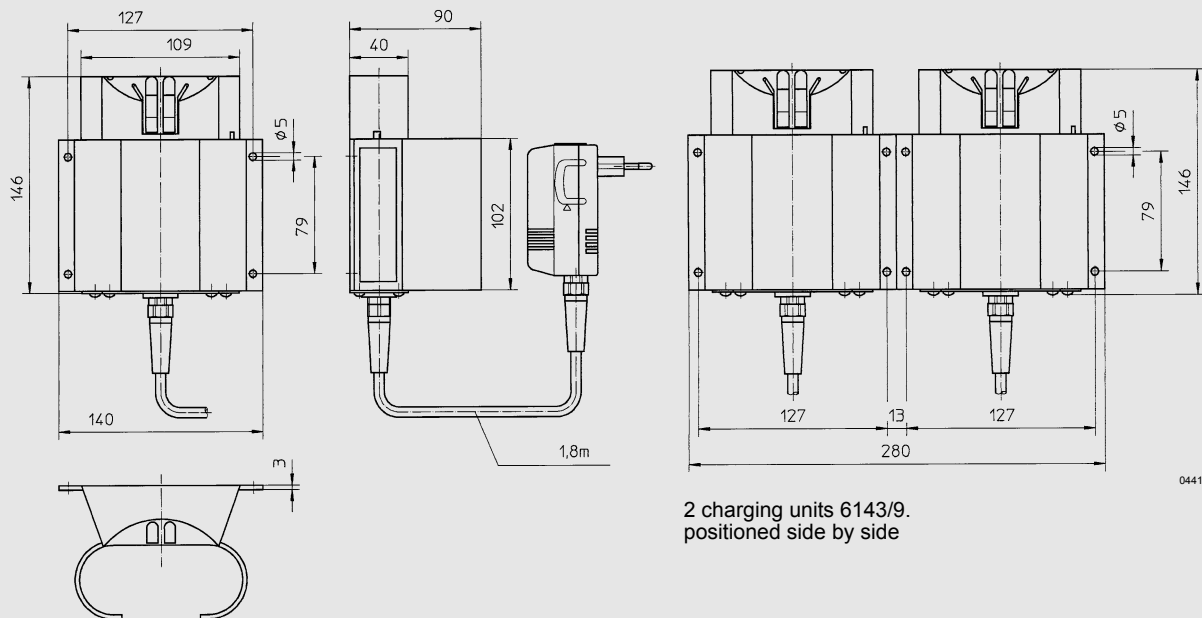
Accessories and Spare Parts				
Designation	Illustration	Description	Order number	Weight kg
Charging unit		6143/94: Without mains unit; 12 ... 30 V, DC	119932	0.670
		6143/95: With mains unit; 230 V, AC / 50 Hz	119933	1.230
Power supply unit		Power supply unit; 230 V, AC / 50 Hz for connection to charging unit 6143/94	125160	5.600
Supply lead		12 V / 24 V, DC; supply lead 3 m long; to connect to charging unit to a vehicle battery	107250	0.110
Battery set		5,0 Ah; NiCd, gas-tight battery (supplied)	125078	0.820
Carrying strap		Shoulder length carrying strap, which can be fitted to existing eyelets	107245	0.030
Support		To support lamp on an even surface, easy „ratchet“ angle adjustment	107243	0.170
Lamps		Krypton lamp; 6 V; 3.3 W P13.5s (for versions 6145/3 and 6145/4)	111714	0.030
		Halogen lamps 6 V, 2,4 W; P13,5X (for versions 6143/3 and 6143/4)	111727	0.003
Glass lens		Ø 110 mm	107247	0.110
O-ring seal		for glass lens	111926	0.018
Reflector		Parabolic reflector (mirror finish aluminium) Standard: narrow beam (spotlight / narrow cone)	107249	0.020

Dimension drawings (all dimensions in mm) - subject to alteration



04397E00

Portable lamp 6143/-65



04411E00

2 charging units 6143/9.
positioned side by side

Charging unit 6143/94 without power supply unit,
6143/95 with power supply unit

04410E00

We reserve the right to make alterations to the technical data, weights, dimensions, designs and products available without notice. The illustrations cannot be considered binding.

