



09355E00



Flashing Beacon and Continuous Beacon Series 6161

- Explosion protection to
 - CENELEC
 - IEC
- For use in
 - Zone 1 and Zone 2
 - Zone 21 and Zone 22
 - Marine applications
- Seawater resistant aluminium enclosure with polycarbonate dome
- Flashing frequency 1 Hz
- Integrated Ex e connection chamber
- Available with signal yellow, red, orange, green, blue and clear dome
- Flashing energy 5 Joules
- Continuous beacon in LED technology

STAHL

The flashing beacons and continuous beacons of Series 6161 are installed to provide optical signals in explosive gas atmospheres and areas with combustible dust.

Zones 1 & 2, 21 & 22

Selection Table			
Version	Nominal voltage	Order number	Weight kg
 <p>6161/2 Flashing Beacon</p> <p>09344E00</p>	230 V AC, 50 ... 60 Hz	6161/2-11-.21-0	1.500
	110 ... 127 V AC, 50 ... 60 Hz	6161/2-31-.21-0	1.500
	24 ... 42 V AC, 50 ... 60 Hz and 12 ... 48 V DC	6161/2-61-.21-0	1.500
	60 ... 80 V DC	6161/2-41-.21-0	1.500
 <p>6161/3 Continuous Beacon</p> <p>09344E00</p>	230 V AC, 50 ... 60 Hz	6161/3-10-.21-1	1.400
	24 V AC/DC; 0 Hz, 50 ... 60 Hz	6161/3-70-.21-1	1.400
Order Number Supplement			
Colour of glass	signal yellow	6161/.-.-.-1..	
	clear	6161/.-.-.-2..	
	red	6161/.-.-.-3..	
	blue	6161/.-.-.-4..	
	green	6161/.-.-.-5..	
	orange	6161/.-.-.-6..	
Note	The optical beacons are supplied without attachment materials and wire guard. These must be ordered separately!		

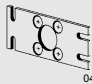

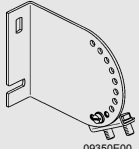


Technical Data			
Version	6161/2 Flashing Beacon		6161/3 Continuous Beacon
Explosion protection			
Gas explosion protection	Ⓢ II 2 G Ex de IIC T6 (Ta = - 20 °C ... + 40 °C) Ⓢ II 2 G Ex de IIC T5 (Ta = - 20 °C ... + 50 °C)		Ⓢ II 2 G Ex de IIC T6 (Ta = - 20 °C ... + 40 °C)
Dust explosion protection	Ⓢ II 2 D Ex td A21 IP66 T85 °C (Ta = - 20 °C ... + 40 °C) Ⓢ II 2 D Ex td A21 IP66 T100 °C (Ta = - 20 °C ... + 50 °C)		Ⓢ II 2 D Ex tD A21 IP66 T65 °C (Ta = - 20 °C ... + 40 °C) Ⓢ II 2 D Ex tD A21 IP66 T75 °C (Ta = - 20 °C ... + 50 °C)
Marine applications			
GL	50 881 - 04 HH		
RS	11210000		
Certificates	LCIE 02 ATEX 6062		LCIE 02 ATEX 6062
Other certificates	IECEX, China (CQST Ex), Russia (CTB), Belarus (Promatomnadzor), Ukraine (ISCVE)		IECEX, Belarus (Promatomnadzor)
Conformity	CE 0102 according to 94/9/CE		CE 0102 according to 94/9/CE
Rated values	24 ... 42 V AC	50 ... 60 Hz 0.5 ... 0.3 A	24 V AC/DC 0 Hz, 50 ... 60 Hz 0.12 A
	110 ... 127 V AC	50 ... 60 Hz 0.11 A	230 V AC 50 ... 60 Hz 0.02 A
	230 V AC	50 ... 60 Hz 0.08 A	
	12 ... 48 V DC	0.5 ... 0.3 A	
	60 ... 80 V DC	0.13 ... 0.11 A	
Back-up fuse	(all types) 6 A, C-characteristic		--



Technical Data

Ambient temperature	see explosion protection data	see explosion protection data
Flashing energy	5 Joules	--
Flashing frequency	1 Hz	--
Cyclic duration factor	100%	100%
Service life	6 x 10 ⁶ flashes	
Degree of protection	IP66 according to IEC/EN 60529	IP66 according to IEC/EN 60529
Protection class	I (internal and external PE connection terminal according to EN 60598)	I (internal and external PE connection terminal according to EN 60598)
Material		
Enclosure	aluminium alloy non copper, yellow/black powder-coated	aluminium alloy non copper, yellow/black powder-coated
Dome	Polycarbonate	Polycarbonate
Wire guard	Stainless steel	Stainless steel
Fixing elements	Stainless steel	Stainless steel
Gasket	NBR-O-ring seal	NBR-O-ring seal
Enclosure locking screw	Ex d enclosure; M4 hexagon socket threaded stud	Ex d enclosure; M4 hexagon socket threaded stud
Connection	Screw terminal block, 3-pole	Screw terminal block, 3-pole
Marking	L1 + N + PE	L1 + N + PE
Connection cross-section		
solid	2 x 4 mm ²	2 x 4 mm ²
finely-stranded	2 x 2,5 mm ²	2 x 2,5 mm ²
Cable entries	1 x M20 x 1,5 stopping plug 1 x M20 x 1,5 cable gland Metal cable gland on request	1 x M20 x 1,5 stopping plug 1 x M20 x 1,5 cable gland Metal cable gland on request
Cable dia. range	6 ... 13 mm	6 ... 13 mm
Earth lead connection		
inside	max. 6 mm ²	max. 6 mm ²
outside	max. 2,5 mm ² flexible / 4 mm ² rigid	max. 2,5 mm ² flexible / 4 mm ² rigid

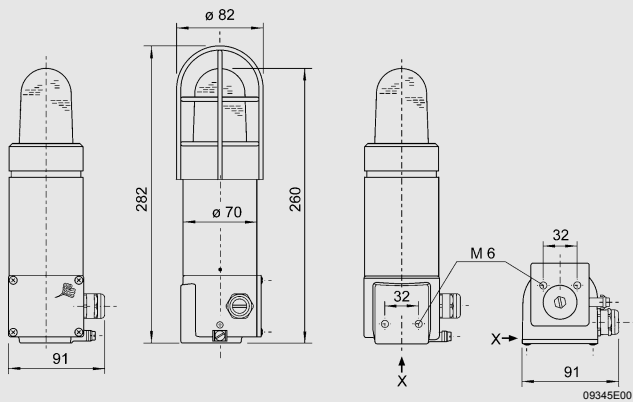
Accessories and Spare Parts

Designation	Illustration	Description	Order number	Weight kg
Mounting plate	 04279E00	Material: stainless steel, includes mounting screws, for wall or floor mounting	120821	0.170
Pipe clamp	 09349E00			
		R 1 1/4 "	120812	0.500
		R 1 1/2 "	120819	0.470
		R 2 "	120823	0.500
Ceiling or wall-mounting bracket	 09350E00	Material: stainless steel includes mounting screws	120826	0.480

Accessories and Spare Parts

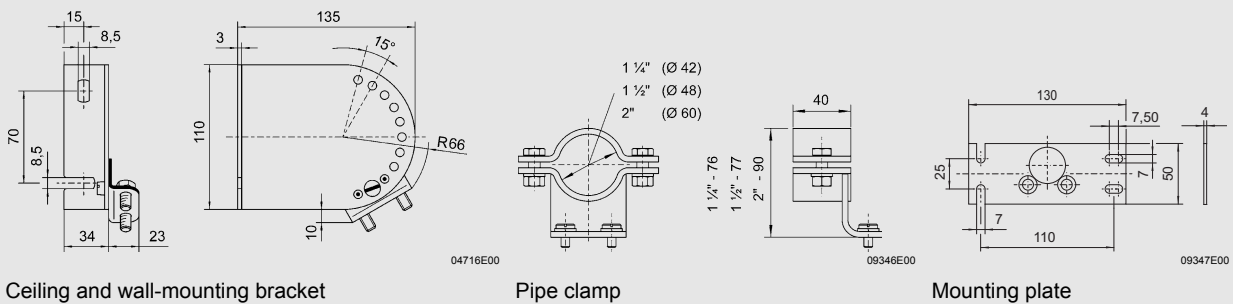
Designation	Illustration	Description	Order number	Weight kg	
Wire guard		Material: stainless steel	120818	0.260	
Cable gland		8161/5M 20-13	1 pc	138518	0.012
		8161/5-M20-13	50 pc	138454	0.600
Stopping plug		8290/3-M20 x 1.5	1 pc	143522	0.005
		8290/3-M20 x 1.5	100 pc	143543	0.600

Dimensional Drawings (All Dimensions in mm) – Subject to Alterations



Optical beacon 6161

Mounting accessories



We reserve the right to make alterations to the technical data, dimensions, weights, designs and products available without notice. The illustrations cannot be considered binding.

