



11624E00

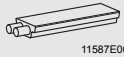



LED Cluster Lightings Series 6590

- Flexible and quick installation in Zone 2 and Zone 22
- Suitable for stairs, emergency lighting, cabinet lighting or small rooms
- Long maintenance periods due to long service life of LEDs

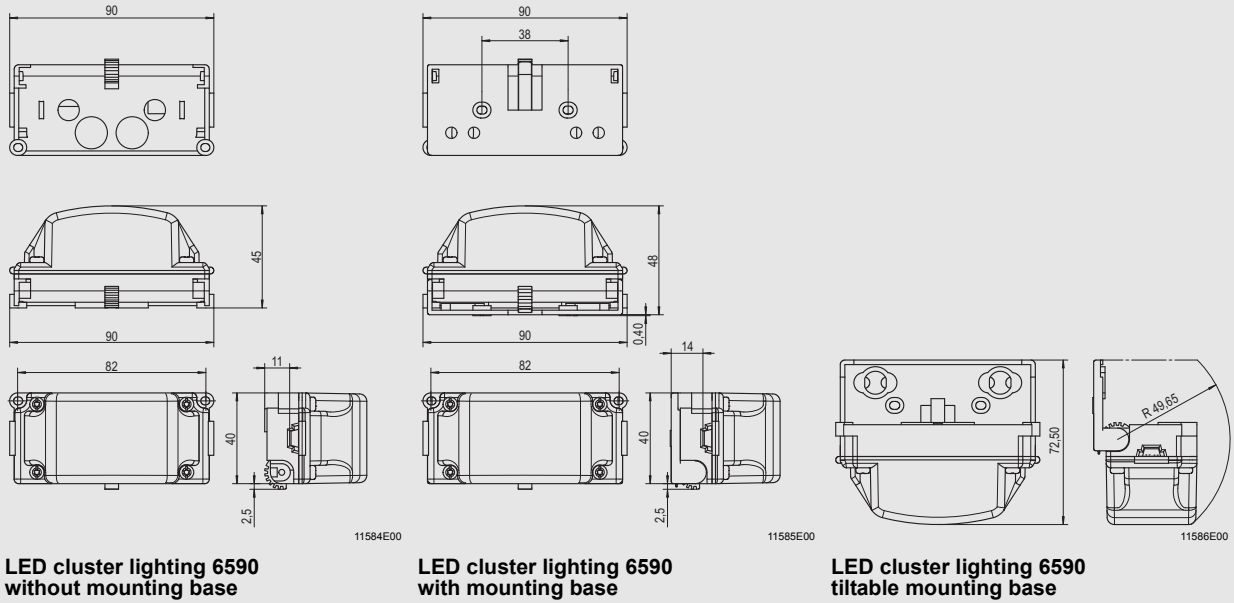


Selection Table			
Version	Nominal voltage	Order number	Weight kg
LED cluster lighting Series 6590	24 V AC / DC	6590/1	0.090
	48 V AC / DC	6590/2	0.090

Technical Data		
Version	6590/1 (24 V version)	6590/2 (48 V version)
Explosion protection		
Gas explosion protection	⊕ II 3 G Ex nA II T5	⊕ II 3 G Ex nA II T5
Dust explosion protection	⊕ II 3 D Ex tD A22 IP64 T60 °C (Ta ≤ 40 °C) ⊕ II 3 D Ex tD A22 IP64 T75 °C (Ta ≤ 55 °C)	⊕ II 3 D Ex tD A22 IP64 T60 °C (Ta ≤ 40 °C) ⊕ II 3 D Ex tD A22 IP64 T75 °C (Ta ≤ 55 °C)
Certificates		
Gas explosion protection	PTB 08 ATEX 2004	PTB 08 ATEX 2004
Dust explosion protection	PTB 08 ATEX 2004	PTB 08 ATEX 2004
Other certificates	IECEX, Belarus (Promatomnadzor)	IECEX, Belarus (Promatomnadzor)
Rated operational voltage	24 V AC / DC; 50...60 Hz	48 V AC / DC; 50...60 Hz
Nominal operational current	AC 48 mA / DC 40 mA	AC 25 mA / DC 20 mA
Ambient temperature	- 25 °C ... + 55 °C	- 25 °C ... + 55 °C
Light intensity	29 lm	29 lm
Type of Protection	IP64	IP64
Protection class	II	II
Material		
Cover	Polycarbonate	Polycarbonate
Enclosure material	Polyamide	Polyamide
Seals	EPDM	EPDM
Connecting cable	ASI connecting cable, 2 x 1.5 mm ² , acc. to EN 50295 and IEC 62026-2	ASI connecting cable, 2 x 1.5 mm ² , acc. to EN 50295 and IEC 62026-2

Accessories and Spare Parts						
Designation	Illustration	Description	Order number	Weight kg		
ASI cable	 11587E00	Connecting cable, length on request	124625	0.070 / m		
Endpiece sealing	 11588E00	Seals to protect the last LED cluster lighting of the line (10 pieces).	124613	0.007		
Special sealing insert	 08763E00	for cable entries				
		Size	Number of entries	Cable dia. range	Packing unit	
	 08763E00	M 20	1	ASI-BUS	1	109616
						0.002

Dimensional Drawings (All Dimensions in mm) - Subject to Alterations



We reserve the right to make alterations to the technical data, weights, dimensions, designs and products available without notice. The illustrations cannot be considered binding.