



09352E00

## Temperature Controller Series 8040/1260-R5A

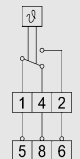
- Explosion protection
  - CENELEC
  - IEC
- For use in
  - Zone 1 and Zone 2
  - Zone 21 and Zone 22
- Switching capacity 5 A
- Liquid filled measuring system
- Interruption when measuring system is leaking
- Enclosure made of glass fibre reinforced polyester resin

The liquid filled measuring system changes its volume as a function of temperature changes. A two-way contact therefore is actuated by mechanical transmission.

The temperature controller is interrupted when the measuring system leaks. When the minimum sensor temperature is underflowed the contact opens also, but will reset itself when temperature rise.

# Zones 1 & 2, 21 & 22

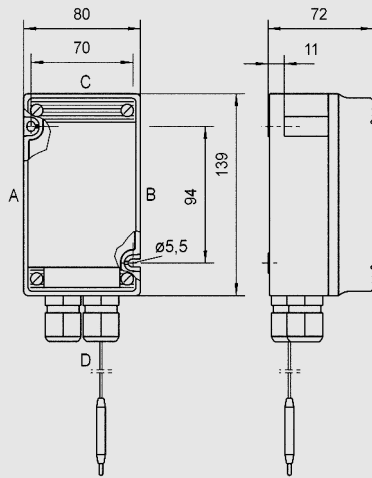
**Selection Table**

Version	Circuit diagram	Measuring range	Order number	Weight kg
8040/1260-R5A Temperature Controller	 <p>09166E00</p>	- 20 °C ... + 50 °C	<b>8040 / 1260 - R5A / - 20 . . . + 50 GradC</b>	0.700
		0 °C ... + 120 °C	<b>8040 / 1260 - R5A / 0 . . . + 120 GradC</b>	0.700
		+ 50 °C ... + 300 °C	<b>8040 / 1260 - R5A / + 50 . . + 300 GradC</b>	0.700

**Technical Data**

Measuring range	- 20 °C ... + 50 °C	0 °C ... + 120 °C	+ 50 °C ... + 300 °C
Explosion protection			
Gas explosion protection	⊕ II 2 G Ex de IIC T6	⊕ II 2 G Ex de IIC T6	⊕ II 2 G Ex de IIC T6
Dust explosion protection	⊕ II 2 D Ex tD A21 IP66 T80 °C	⊕ II 2 D Ex tD A21 IP66 T80 °C	⊕ II 2 D Ex tD A21 IP66 T80 °C
Certificates	PTB 01 ATEX 1105	PTB 01 ATEX 1105	PTB 01 ATEX 1105
Ambient temperature	- 20 °C ... + 50 °C	- 20 °C ... + 50 °C	- 20 °C ... + 50 °C
Material			
Enclosure	glass fibre reinforced polyester resin	glass fibre reinforced polyester resin	glass fibre reinforced polyester resin
Seal	Polyurethane, foamed	Polyurethane, foamed	Polyurethane, foamed
Sensor	Stainless steel VA 1.4571 (AISI 316L)	Stainless steel VA 1.4571 (AISI 316L)	Stainless steel VA 1.4571 (AISI 316L)
Type of protection	IP66	IP66	IP66
Rated operational voltage	max. 250 V AC	max. 250 V AC	max. 250 V AC
Rated operational current	5 A	5 A	5 A
Capillar tube			
Length	1 m	1 m	1 m
Diameter	1.5 mm	1.5 mm	1.5 mm
Min. bending radius	5 mm	5 mm	5 mm
Sensor			
Diameter	6 mm	6 mm	6 mm
Length	129 mm	81 mm	51 mm
Contact	1 changeover	1 changeover	1 changeover
Setpoint accuracy	0 K ... + 3.5 K	0 K ... + 6 K	0 K ... + 12.5 K
Permissible sensor temperature			
Minimum	- 30 °C	- 10 °C	- 15 °C
Maximum	+ 60 °C	+ 140 °C	+ 345 °C
Connection type	screw terminal		
Connection cross-section	max. 2.5 mm <sup>2</sup>		
Cable glands	1 x M 20 x 1.5 cable gland		
Cable dia. range	6 mm ... 13 mm		



**Dimensional Drawings** (All Dimensions in mm) - Subject to Alterations

04797E00

**8040/1260-R5A  
Temperature Controller**

We reserve the right to make alterations to the technical data, weights, dimensions, designs and products available without notice. The illustrations cannot be considered binding.