

10239E00

Isolating Terminal Series 8082

- Explosion protection to
 - CENELEC
 - IEC
- For use in Zone 1 and Zone 2
- For installation in Ex e enclosure
- Connection cross-section:
2.5 mm² solid / stranded
- Single pole, NC contact,
positive opening operation
- Enclosure in polyamide
- For snap-mounting; Screw fixing
possible via adaptor
- Buttable to terminal blocks
- Definite ON-OFF position
indicator
- When the main contact is open,
the incoming line terminal is
covered
- Actuator padlockable
in OFF-position
(acc. IEC / EN 60947-5-1)

STAHL

Circuits can easily be isolated for purpose of maintenance and tests via isolating terminals 8082. The isolating terminals are to mount into Ex e enclosures. They may be operated energized, even in hazardous locations.

Zones 1 & 2

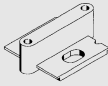
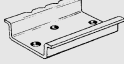
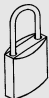
Selection Table

Version	Description	Order number	Weight kg
Isolating Terminal	with 1 NC contact, positive opening operation Contact material Silver-nickel	8082/1-1-01	0.030

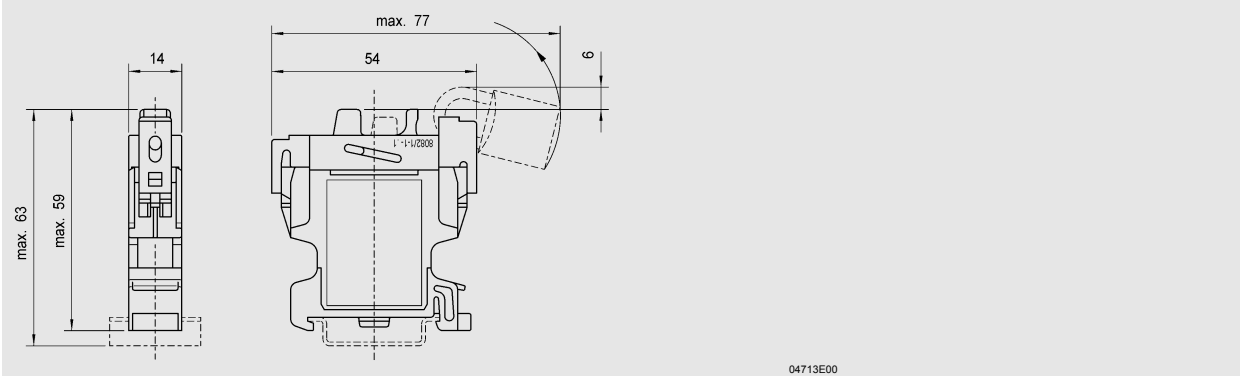
Technical Data

Explosion protection	⊕ II 2 G Ex de IIC T6				
Certificates	PTB 00 ATEX 1031 U				
Other certificates	IECEX, Canada (CSA), USA (UL), Belarus (Promatomnadzor)				
Enclosure material	Polyamide				
Rated operational voltage	max. 500 V				
Rated operational current	6 A				
Contact element	1 NC, positive opening				
Contact material	Silver-nickel				
Switching capacity	AC 11, cos.φ = 0.7:	230 V	4 A	400 V	2.5 A
	DC 1 LR = 1 ms	60 V -	4 A	110 V -	2.5 A
	DC 11 LR = 15 ms	60 V -	6 A	110 V -	2.5 A
		LR = 30 ms		4 A	
	LR = 100 ms		2.5 A		1.0 A
Operation	manual via actuating slide switch, lockable in 0-position (acc. to IEC / EN 60947-5-1)				
Ambient temperature	- 55 °C ... + 70 °C				
Connection cross-section	2.5 mm ² solid / stranded				

Accessories and Spare Parts

Designation	Illustration	Description	Order number	Weight kg
Adaptor	 05614E00	to screw into Ex e enclosures; to attach the isolating terminals with screws, for example onto mounting plates; moulded plastic for two isolating terminals	132702	0.007
Carrier rails	 05597E00	to screw into Ex e enclosures; for snapping on of the isolating terminals		
		Size 29 77 mm long, for max. 5 isolating terminals	137812	0.024
		Size 30 133 mm long, for max. 9 isolating terminals	137819	0.040
		Size 31 189 mm long, for max. 13 isolating terminals	137827	0.060
		Size 32 301 mm long, for max. 21 isolating terminals	137834	0.094
Padlock	 05445E00	for padlocking of the isolating terminal in switched-off position	107115	0.015



Dimensional Drawings (All Dimensions in mm) - Subject to Alterations

We reserve the right to make alterations to the technical data, weights, dimensions, designs and products available without notice. The illustrations cannot be considered binding.