

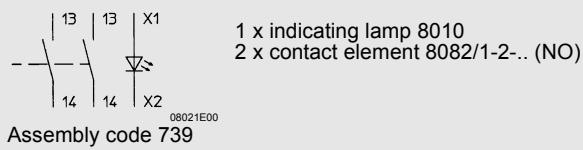
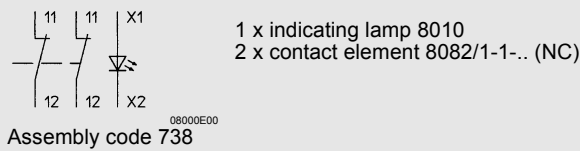
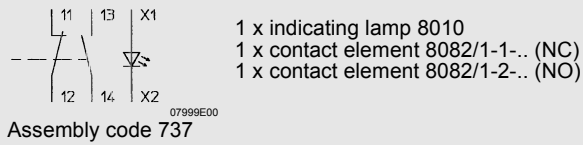


01824E00

Illuminated Pushbutton Series 8082/8010

- Explosion protection to
 - CENELEC
 - IEC
- For use in Zone 1 and Zone 2
- Contact element and indicating lamp combined below one actuator
- Control and indicator function in one location
- Switching and indicator functions independent of each other
- Colours: red, yellow, green, blue and clear
- Rated voltage
12 V - 10 % ... 254 V + 6 %

Available combination for illuminated pushbutton



Selection table

Version	Description	Ordering code	Weight kg
 8010 Indicating lamp 02057E00	EEx de, white	8010/2-01-ws	0,035
	EEx d ia/ib, white	8010/3-02-ws	0,032
 8082 Contact element 10027E00	with screw terminals, NC	8082/1-1-00	0,025
	with screw terminals, NC, gold-plated	8082/1-1-10	0,025
	with screw terminals, NO	8082/1-2-00	0,025
	with screw terminals, NO, gold-plated	8082/1-2-10	0,025
 8602 Actuator for illuminated pushbutton 01819E00	Actuator: spring-return	8602A0735-1	0,053
 Colour filter 09991E00	red, yellow, green, blue, clear	8602807580	0,001

Attention: Illuminated pushbutton must not be used for EMERGENCY-STOP functions.




Technical Data

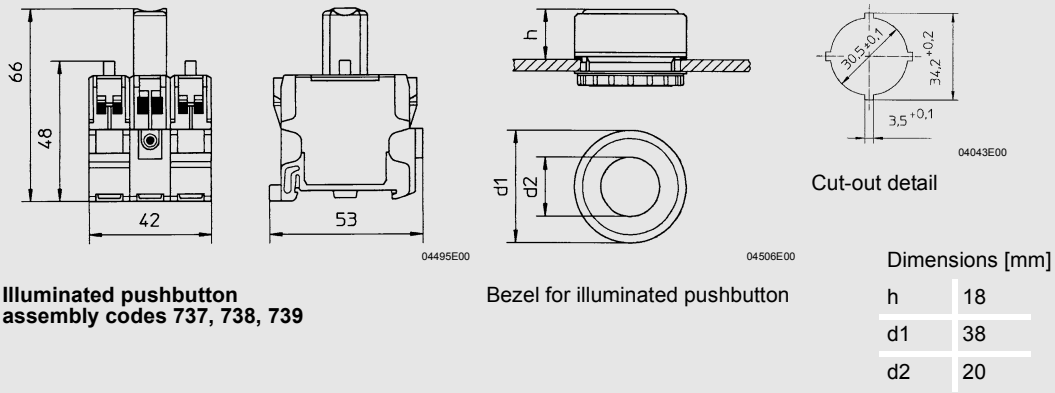
Explosion protection	⊕ II 2 G EEx de IIC T6		
Certificates	Contact element	PTB 00 ATEX 1031 U	
	Indicating lamp	PTB 01 ATEX 1160 U	
	Actuator	PTB 01 ATEX 1129 U	
Ambient temperature	- 20 °C ... + 40 °C (wider range possible on request)		
Flexible lead	2,5 mm ² flexible		
Contact block			
Enclosure material	Polyamide		
Rated working voltage	max. 500 V		
Rated working current	max. 6 A		
Contact material	Silver-nickel		
Indicating lamp			
Enclosure material	Polyamide		
Rated working voltage	12 V - 10 % ... 254 V + 6 %		
Frequency	0 Hz ... 60 Hz		
Electrical life	10 ⁵ output hours		
Light source	white LED 1200 cd/m ²		
Colour filter	red, yellow, green, blue, clear		
Additional electrical data for intrinsically safe version type 8010/3-02			
Safety-specific maximum values	U _i	28 V	
	I _i	150 mA	
	P _i	1 W	
	Inductance L _i and Capacity C _i negligible		
Actuators			
Material	Polyamide		
Impact strenght	≥ 7 Nm		
Gasket	NBR		
Degree of Protection	IP 66		

STAHL

Accessories and spare parts

Designation	Illustration	Description	Ordering code	Weight kg
Additional symbol disc		Label mount, size 1, without symbol label Designation: 1-line	8602904800	0,002
		Label mount, size 2, without symbol label Designation: 1- or 2-lines	8602907800	0,003
		Label mount, size 3, without symbol label Designation: 1-, 2- or 3-lines	8602920800	0,004
		for actuators to fit standard Ø 30.5 mm holes with text, please specify text:		
		Text:	HAND - 0 - AUTO	I - 0 - II
			OFF - • - ON	0 - I - II
			0 - I	0 - Operation - I
			I - II	0 - • - I
		additional labels: plain		

Dimension drawings (all dimensions in mm) - subject to alterations



We reserve the right to make alterations to the technical data, weights, dimensions, designs and products available without notice. The illustrations cannot be considered binding.

