



07821E00

Series 8126 enclosures of glass-fibre reinforced polyester resin or of high grade steel are used in larger control stations and control station combinations. Special sizes are available on request. The reliable enclosure, whose „increased safety“ rating is further enhanced by the fitting of our own innovative electrical explosion protected components, prove their quality by meeting the highest safety requirements.

Your partner for flexible order processing

With more than 25 years experience, we are accustomed to manufacturing control and electrical cabinets that fulfil the demanding requirements of explosion protection specifications. Naturally, we provide complete documentation including all certification for the equipment. Delivery includes factory-built equipment systems with a conformity declaration for Zone 1 and certified to 94/9/EG (ATEX), or respectively, equipment systems declared in accordance with IEC/60079-15 for Zone 2 and 22. We also provide customized solutions to meet NEC requirements for hazardous and non hazardous environments. R.STAHL Inc. / USA is a UL listed panel shop.

Enclosures for Fieldstations Series 8126 (Customer-Specific)

- Enclosure versions
 - Stainless steel brushed 1.4301 V2A (AISI 304)
 - Stainless steel brushed 1.4404 V4A (AISI 316L)
 - Polyester resin (GRP)
- Protection IP66
- „Increased safety“ certified Ex II 2 G Ex e II according to 94/9/EG (ATEX)

Services

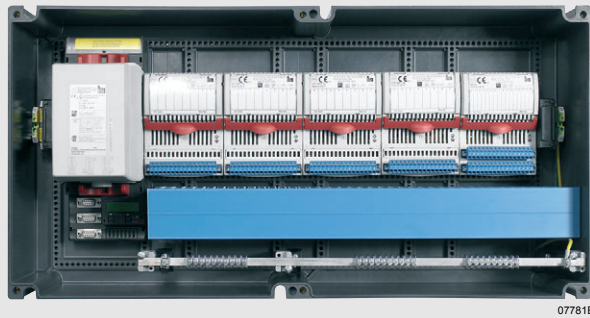
- Consulting
- Engineering and project management
- Manufacturing logistics and manufacturing control
- System testing and factory acceptance test
- Documentation
- Parameterisation
- Software applications
- Commissioning support and instruction
- On-site service

Zone	0	1	2	20	21	22
Class	I			II / III		
Zone	0	1	2	20	21	22
Ex interface						
Installation in		X	X		X	X

Class	I		II / III	
Division	1	2	1	2
Ex interface				
Installation in	X	X	X	X

STAHL

Engineering Examples - Field Stations in Enclosures made of Stainless Steel or Polyester Resin



Field station for use in Zone 1

Enclosure 8146/5095-3

Material Glass fibre reinforced polyester resin

Dimensions 681.5 mm x 340.5 mm x 190 mm /
26.8 in x 13.7 in x 7.48 in
(Length x Width x Depth)

Degree of protection IP66



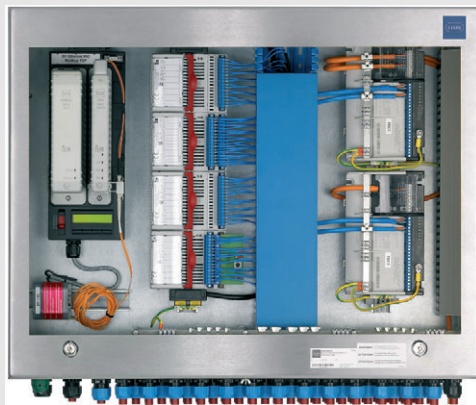
Field station for use in Zone 1

Enclosure 8126/5206-3

Material Glass fibre reinforced polyester resin

Dimensions 600 mm x 600 mm x 200 mm /
24 in x 24 in x 8 in
(Length x Width x Depth)

Degree of protection IP66



Field station for use in Zone 1

Enclosure 8126/5496*

Material *2 Stainless steel 1.4301 (V2A), brushed
*4 Stainless steel 1.4404 (V4A), brushed

Dimensions 787 mm x 480 mm x 230 mm /
31 in x 19 in x 9 in
(Length x Width x Depth)

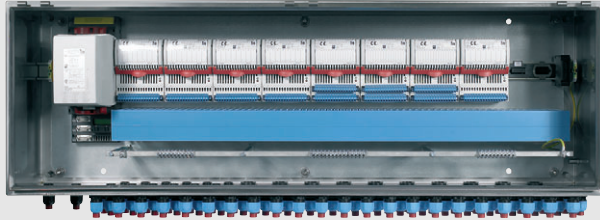
Degree of protection IP66



Enclosures for Fieldstations Series 8126 (Customer-Specific)



Engineering Examples - Field Stations in Enclosures made of Stainless Steel or Polyester Resin



07777E00

Field station for use in Zone 1	
Enclosure	8126/5494-*
Material	*2 Stainless steel 1.4301 (V2A), brushed *4 Stainless steel 1.4404 (V4A), brushed
Dimensions	1300 mm x 1360 mm x 230 mm / 52 in x 54 in x 9 in (Length x Width x Depth)
Degree of protection	IP66



07778E00

Field station for use in Zone 1	
Enclosure	8126/5407-*
Material	*2 Stainless steel 1.4301 (V2A), brushed *4 Stainless steel 1.4404 (V4A), brushed
Dimensions	760 mm x 760 mm x 300 mm / 30 in x 30 in x 12 in (Length x Width x Depth)
Degree of protection	IP66

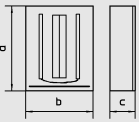
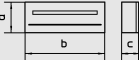


07780E00

Field station for use in Zone 2	
Enclosure	customer-specific
Dimensions	1000 mm x 800 mm x 300 mm / 40 in x 32 in x 12 in (Length x Width x Depth)
Degree of protection	IP66

STAHL

Selection Table Enclosures of Stainless Steel V2A (Examples)

Version	Dimensions [mm / inches]	Max. number of cable glands		Order number	
		Side A or B - bottom / top	Side C or D - left / right hand side		
Enclosures for field stations Series 8126 • Stainless steel brushed V2A 1.4301 (AISI 304) • Quarter turn locking device • With holder for wall mounting and mounting plate  <small>10165E00</small> see dimensional drawings Graphic A	a 300 / 11.81 b 200 / 7.87 c 155 / 6.10	2 x M 32 1 x M 25 **)	2 x M 32 1 x M 25 **)	8126/ -401-4	
	a 300 / 11.81 b 380 / 14.96 c 155 / 6.10	2 x M 32 1 x M 25 **)	2 x M 32 1 x M 25 **)	8126/ -402-4	
	a 380 / 14.96 b 380 / 14.96 c 210 / 8.27	2 x M 32 1 x M 25 **)	2 x M 32 1 x M 25 **)	8126/ -403-4	
	a 380 / 14.96 b 300 / 11.81 c 210 / 8.27	2 x M 32 1 x M 25 **)	2 x M 32 1 x M 25 **)	8126/ -409-4	
	a 600 / 23.62 b 380 / 14.96 c 210 / 8.27	2 x M 32 1 x M 25 **)	2 x M 32 1 x M 25 **)	8126/ -404-4	
	a 600 / 23.62 b 600 / 23.62 c 210 / 8.27	60 x M 20 2 x M 32 1 x M 25 **)	59 x M 20 2 x M 32 1 x M 25 **)	8126/ -405-4	
	a 760 / 29.92 b 600 / 23.62 c 210 / 8.27	60 x M 20 2 x M 32 1 x M 25 **)	79 x M 20 2 x M 32 1 x M 25 **)	8126/ -406-4	
	a 787 / 30.98 b 480 / 18.90 c 230 / 9.06	54 x M 20 2 x M 32 1 x M 25 **)	101 x M 20 2 x M 32 1 x M 25 **)	8126/ -496-4	
	a 760 / 29.92 b 760 / 29.92 c 300 / 11.81	131 x M 20 2 x M 32 1 x M 25 **)	128 x M 20 2 x M 32 1 x M 25 **)	8126/ -407-4	
	a 1000 / 39.37 b 800 / 31.50 c 300 / 11.81	139 x M 20 2 x M 32 1 x M 25 **)	174 x M 20 2 x M 32 1 x M 25 **)	8126/ -408-4	
	a 1200 / 47.24 b 800 / 31.50 c 300 / 11.81	139 x M 20 2 x M 32 1 x M 25 **)	214 x M 20 2 x M 32 1 x M 25 **)	8126/ -495-4	
	a 1600 / 62.99 b 800 / 31.50 c 300 / 11.81	139 x M 20 2 x M 32 1 x M 25 **)	290 x M 20 2 x M 32 1 x M 25 **)	8126/ -497-4	
	a 1200 / 47.24 b 1000 / 39.37 c 300 / 11.81	175 x M 20 2 x M 32 1 x M 25 **)	214 x M 20 2 x M 32 1 x M 25 **)	8126/ -498-4	
	Enclosures for Fieldstations Series 8126 • Stainless steel brushed V2A 1.4301 (AISI 304) • Quarter turn locking device • With holder for wall mounting and mounting plate  <small>10164E00</small> see dimension drawings Graphic B	a 360 / 14.17 b 550 / 21.65 c 230 / 9.06	39 x M 20 2 x M 32 1 x M 25 **)	65 x M 20 2 x M 32 1 x M 25 **)	8126/ -490-4
		a 360 / 14.17 b 750 / 29.53 c 230 / 9.06	39 x M 20 2 x M 32 1 x M 25 **)	95 x M 20 2 x M 32 1 x M 25 **)	8126/ -491-4
a 360 / 14.17 b 900 / 35.43 c 230 / 9.06		39 x M 20 2 x M 32 1 x M 25 **)	113 x M 20 2 x M 32 1 x M 25 **)	8126/ -492-4	
a 360 / 14.17 b 1100 / 43.31 c 230 / 9.06		39 x M 20 2 x M 32 1 x M 25 **)	143 x M 20 2 x M 32 1 x M 25 **)	8126/ -493-4	
a 360 / 14.17 b 1300 / 51.18 c 230 / 9.06		39 x M 20 2 x M 32 1 x M 25 **)	159 x M 20 2 x M 32 1 x M 25 **)	8126/ -494-4	
a 480 / 18.90 b 1300 / 51.18 c 230 / 9.06		54 x M 20 2 x M 32 1 x M 25 **)	159 x M 20 2 x M 32 1 x M 25 **)	8126/ -499-4	

**) option for breather

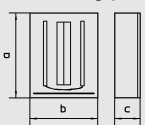
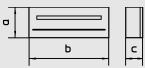


Enclosures for Fieldstations Series 8126 (Customer-Specific)



Selection Table

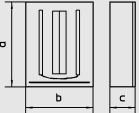
Enclosures of Stainless Steel V4A (Examples)

Version	Dimensions [mm / inches]	Max. number of cable glands		Order number	
		Side A or B - bottom / top	Side C or D - left / right hand side		
Enclosures for field stations Series 8126 <ul style="list-style-type: none"> Stainless steel brushed V4A 1.4404 (AISI 316L) Quarter turn locking device With holder for wall mounting and mounting plate  see dimensional drawings Graphic A	a 300 / 11.81 b 200 / 7.87 c 155 / 6.10	2 x M 32 1 x M 25 **)	2 x M 32 1 x M 25 **)	8126 / -401-2	
	a 300 / 11.81 b 380 / 14.96 c 155 / 6.10	2 x M 32 1 x M 25 **)	2 x M 32 1 x M 25 **)	8126 / -402-2	
	a 380 / 14.96 b 380 / 14.96 c 210 / 8.27	2 x M 32 1 x M 25 **)	2 x M 32 1 x M 25 **)	8126 / -403-2	
	a 380 / 14.96 b 300 / 11.81 c 210 / 8.27	2 x M 32 1 x M 25 **)	2 x M 32 1 x M 25 **)	8126 / -409-2	
	a 600 / 23.62 b 380 / 14.96 c 210 / 8.27	2 x M 32 1 x M 25 **)	2 x M 32 1 x M 25 **)	8126 / -404-2	
	a 600 / 23.62 b 600 / 23.62 c 210 / 8.27	60 x M 20 2 x M 32 1 x M 25 **)	59 x M 20 2 x M 32 1 x M 25 **)	8126 / -405-2	
	a 760 / 29.92 b 600 / 23.62 c 210 / 8.27	60 x M 20 2 x M 32 1 x M 25 **)	79 x M 20 2 x M 32 1 x M 25 **)	8126 / -406-2	
	a 787 / 30.98 b 480 / 18.90 c 230 / 9.06	54 x M 20 2 x M 32 1 x M 25 **)	101 x M 20 2 x M 32 1 x M 25 **)	8126 / -496-2	
	a 760 / 29.92 b 760 / 29.92 c 300 / 11.81	131 x M 20 2 x M 32 1 x M 25 **)	128 x M 20 2 x M 32 1 x M 25 **)	8126 / -407-2	
	a 1000 / 39.37 b 800 / 31.50 c 300 / 11.81	139 x M 20 2 x M 32 1 x M 25 **)	174 x M 20 2 x M 32 1 x M 25 **)	8126 / -408-2	
	a 1200 / 47.24 b 800 / 31.50 c 300 / 11.81	139 x M 20 2 x M 32 1 x M 25 **)	214 x M 20 2 x M 32 1 x M 25 **)	8126 / -495-2	
	a 1600 / 62.99 b 800 / 31.50 c 300 / 11.81	139 x M 20 2 x M 32 1 x M 25 **)	290 x M 20 2 x M 32 1 x M 25 **)	8126 / -497-2	
	a 1200 / 47.24 b 1000 / 39.37 c 300 / 11.81	175 x M 20 2 x M 32 1 x M 25 **)	214 x M 20 2 x M 32 1 x M 25 **)	8126 / -498-2	
	Enclosures for field stations Series 8126 <ul style="list-style-type: none"> Stainless steel brushed V4A 1.4404 (AISI 316L) Quarter turn locking device With holder for wall mounting and mounting plate  see dimensional drawings Graphic B	a 360 / 14.17 b 550 / 21.65 c 230 / 9.06	39 x M 20 2 x M 32 1 x M 25 **)	65 x M 20 2 x M 32 1 x M 25 **)	8126 / -490-2
		a 360 / 14.17 b 750 / 29.53 c 230 / 9.06	39 x M 20 2 x M 32 1 x M 25 **)	95 x M 20 2 x M 32 1 x M 25 **)	8126 / -491-2
		a 360 / 14.17 b 900 / 35.43 c 230 / 9.06	39 x M 20 2 x M 32 1 x M 25 **)	113 x M 20 2 x M 32 1 x M 25 **)	8126 / -492-2
a 360 / 14.17 b 1100 / 43.31 c 230 / 9.06		39 x M 20 2 x M 32 1 x M 25 **)	143 x M 20 2 x M 32 1 x M 25 **)	8126 / -493-2	
a 360 / 14.17 b 1300 / 51.18 c 230 / 9.06		39 x M 20 2 x M 32 1 x M 25 **)	159 x M 20 2 x M 32 1 x M 25 **)	8126 / -494-2	
a 480 / 18.90 b 1300 / 51.18 c 230 / 9.06		54 x M 20 2 x M 32 1 x M 25 **)	159 x M 20 2 x M 32 1 x M 25 **)	8126 / -499-2	

** option for breather



STAHL

Selection Table Enclosures of Polyester Resin (Examples)

Version	Dimensions [mm / inches]	Max. number of cable glands		Order number
		Side A or B - bottom / top	Side C or D - left / right hand side	
Enclosures for field stations Series 8126 • Polyester resin • Quarter turn locking device • With holder for wall mounting and mounting plate  <small>10165E00</small> see dimensional drawings Graphic C	a 300 / 11.81 b 200 / 7.87 c 150 / 5.91	8 x M 20	10 x M 20	8126 / -201-3
	a 350 / 13.78 b 250 / 9.84 c 150 / 5.91	12 x M 20	10 x M 20	8126 / -202-3
	a 400 / 15.75 b 300 / 11.81 c 200 / 7.87	15 x M 20 2 x M 32 1 x M 25 **)	21 x M 20	8126 / -203-3
	a 400 / 15.75 b 400 / 15.75 c 200 / 7.87	22 x M 20 2 x M 32 1 x M 25 **)	21 x M 20	8126 / -204-3
	a 600 / 23.62 b 400 / 15.75 c 200 / 7.87	22 x M 20 2 x M 32 1 x M 25 **)	33 x M 20 2 x M 32 1 x M 25 **)	8126 / -205-3
	a 600 / 23.62 b 600 / 23.62 c 200 / 7.87	44 x M 20 2 x M 32 1 x M 25 **)	33 x M 20 2 x M 32 1 x M 25 **)	8126 / -206-3
	a 500 / 19.69 b 500 / 19.69 c 300 / 11.81	71 x M 20 2 x M 32 1 x M 25 **)	51 x M 20 2 x M 32 1 x M 25 **)	8126 / -207-3
	a 800 / 31.50 b 600 / 23.62 c 300 / 11.81	91 x M 20 2 x M 32 1 x M 25 **)	104 x M 20 2 x M 32 1 x M 25 **)	8126 / -208-3
	a 1000 / 39.37 b 800 / 31.50 c 300 / 11.81	100 x M 20 2 x M 32 1 x M 25 **)	141 x M 20 2 x M 32 1 x M 25 **)	8126 / -209-3

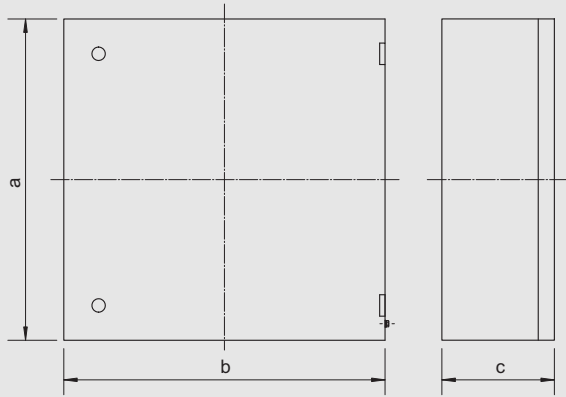
**) option for breather

Accessories and Spare Parts

Designation	Illustration	Description	Order number
Support-rack	 <small>02719E00</small>	<ul style="list-style-type: none"> • Modular rack system for mounting enclosures on site • Available in galvanized sheet steel or stainless steel • Simple assembly • Sun protection cover (optional) • Illumination (optional), also for Zone 1 / Div. 1 	8298
Breather glands	 <small>02290E00</small>	<ul style="list-style-type: none"> • To prevent formation of condensation in stations, e.g. where there are significant temperature differences between day and night (tropics, open-air installations) 	8162
Heating system		<ul style="list-style-type: none"> • Heating elements for use in systems with temperatures < - 25 °C / - 14 °F • Different versions 	on request

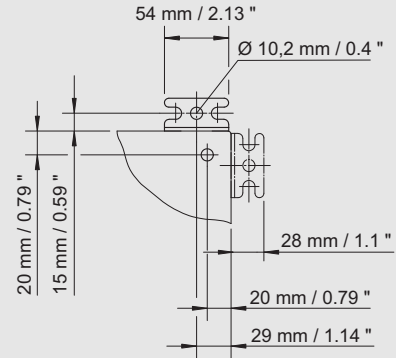


Dimensional Drawings (All Dimensions in mm / inches) - Subject to Alterations



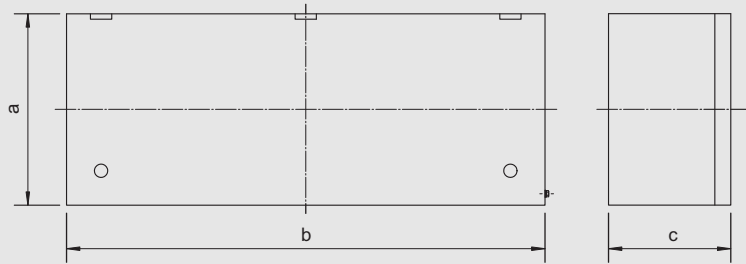
Graphic A

10174E00



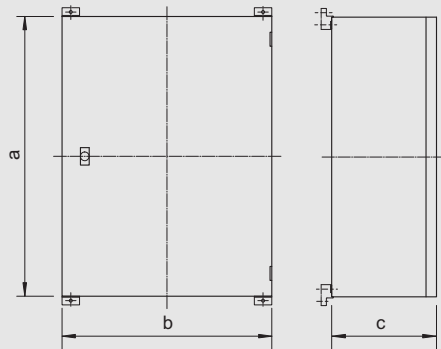
10175E00

Fixing dimensions for Graphics A and B



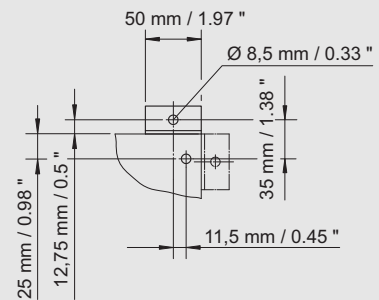
Graphic B

10176E00



Graphic C

10177E00



10178E00

Fixing dimensions for Graphic C

We reserve the right to make alterations to the technical data, weights, dimensions, designs and products available without notice. The illustrations cannot be considered binding.