



06520E00

Standard Lighting and Heat-Trace Panels Series 8146

- Explosion protection according to
 - CENELEC
 - IEC
- For use in
 - Zone 1 and Zone 2
 - Zone 21 and Zone 22
- Available versions
 - With miniature circuit breaker, tripping characteristic C
 - with residual current circuit breaker and overcurrent release, tripping characteristic B and C
- Advantages
 - Installation of miniature circuit breakers under hinged inspection window
 - External operation of the breakers
 - Switch setting visible at all times
 - Operation under voltage
 - Short delivery times

The standard distribution panels are built with stock miniature circuit breakers. The following data sheet shows versions with 16 A nominal current. Others with 10, 20, 25 A are also possible. These distribution panels are deliverable within 2 weeks ex works!

STAHL

Technical Data

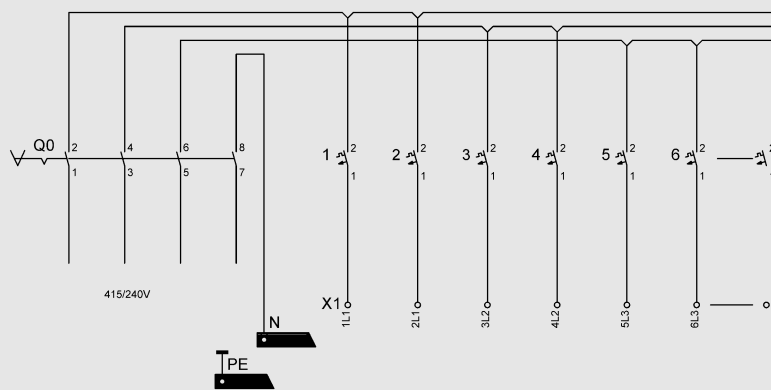
Explosion protection	
Gas explosion protection	⊕ II 2 G Ex de ia / ib [ja / ib] mq IIA, IIB, IIC T6, T5, T4
Dust explosion protection	⊕ II 2 D Ex tD A21 IP6x T80 °C, T95 °C, T130 °C
Certificates	
Gas explosion protection	PTB 01 ATEX 1024
Dust explosion protection	PTB 01 ATEX 1024
Other certificates	IECEX
Rated voltage	415 V / 240 V, AC
Rated current	80 A
Connection cross-section	
finely-stranded	35 mm ²
Ambient temperature	- 20 °C ... + 40 °C
Type of Protection	IP66 (EN 60529)
Enclosure material	Polyester resin, glass fibre reinforced, dark grey, similar to RAL 7024, impact strength ≥ 7 J, surface resistance ≤ 10 ⁹ Ohm, material flame resistant, self-extinguishing

Zones 1 & 2, 21 & 22

Selection Table

Version	Miniature circuit breaker		Layout No.	Cable entries	Order number
	Quantity	Characteristics			
Lighting panels with miniature circuit breaker, 1 pole, 16 A, wiring on terminal blocks	6	C	01	1 x M 40, 6 x M 25, 1 x M 16	8146/5-ExV-01-06L16C1P-T
	12	C	02	1 x M 50, 12 x M 25, 1 x M 16	8146/5-ExV-02-12L16C1P-T
	18	C	03	1 x M 50, 18 x M 25, 1 x M 16	8146/5-ExV-03-18L16C1P-T
	24	C	04	1 x M 50, 24 x M 25, 1 x M 16	8146/5-ExV-04-24L16C1P-T

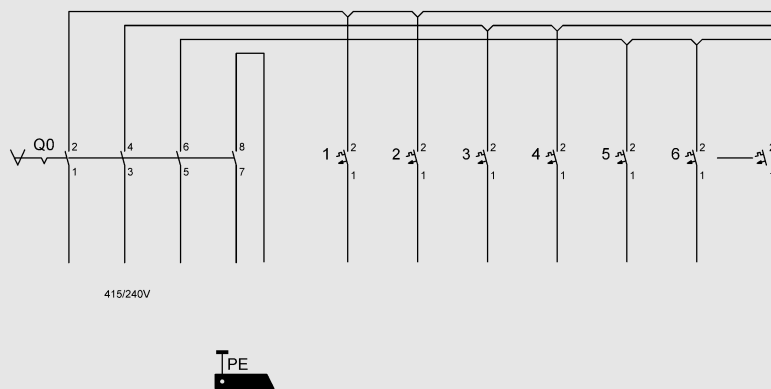
Circuit diagram



Selection Table

Version	Miniature circuit breaker		Layout No.	Cable entries	Order number
	Quantity	Characteristics			
Lighting panels with miniature circuit breaker, 1-pole, 16 A, mattress wiring	6	C	06	1 x M 40, 6 x M 25, 1 x M 16	8146/5-ExV-06-06L16C1P-D
	12	C	07	1 x M 50, 12 x M 25, 1 x M 16	8146/5-ExV-07-12L16C1P-D

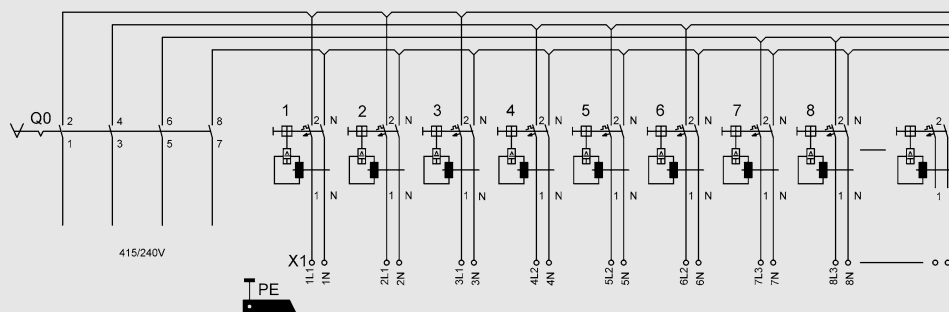
Circuit diagram



Selection Table

Version	Residual current circuit breaker with overcurrent release		Layout No.	Cable entries	Order number
	Quantity	Characteristics			
Heat-trace panels with residual current circuit breaker and overcurrent release, 1 pole + N, 16 A / 30 mA, wiring on terminal blocks	8	B	02	1 x M 40, 8 x M 25, 1 x M 16	8146/5-ExV-02-08H16B1N-T
	12	B	03	1 x M 50, 12 x M 25, 1 x M 16	8146/5-ExV-03-12H16B1N-T
	24	B	05	1 x M 50, 24 x M 25, 1 x M 16	8146/5-ExV-05-24H16B1N-T
	8	C	02	1 x M 40, 8 x M 25, 1 x M 16	8146/5-ExV-02-08H16C1N-T
	12	C	03	1 x M 50, 12 x M 25, 1 x M 16	8146/5-ExV-03-12H16C1N-T
	24	C	05	1 x M 50, 24 x M 25, 1 x M 16	8146/5-ExV-05-24H16C1N-T

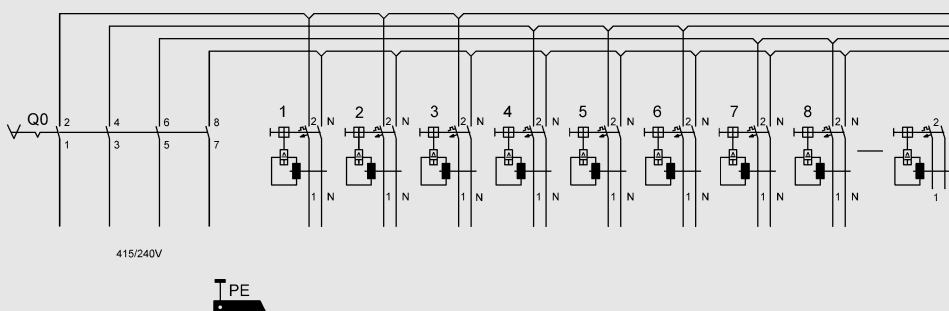
Circuit diagram



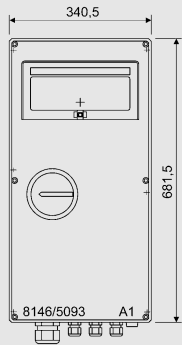
Selection Table

Version	Residual current circuit breaker with overcurrent release		Layout No.	Cable entries	Order number
	Quantity	Characteristics			
Heat-trace panels with residual current circuit breaker and overcurrent release, 1 pole + N, 16 A / 30 mA, mattress wiring	8	B	07	1 x M 40, 8 x M 25, 1 x M 16	8146/5-ExV-07-08H16B1N-D
	8	C	07	1 x M 40, 8 x M 25, 1 x M 16	8146/5-ExV-07-08H16C1N-D

Circuit diagram

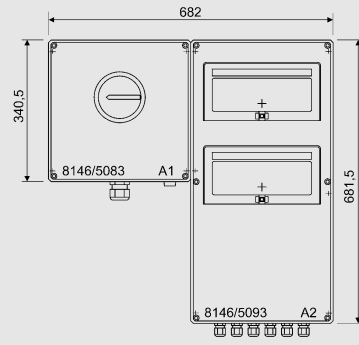


Dimensional Drawings (All Dimensions in mm) - Subject to Alterations

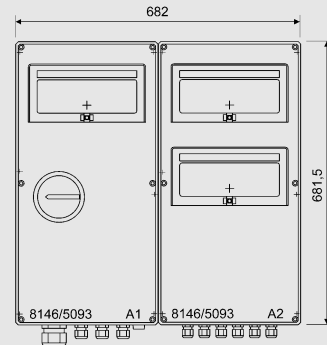


10296E00

Layout 01



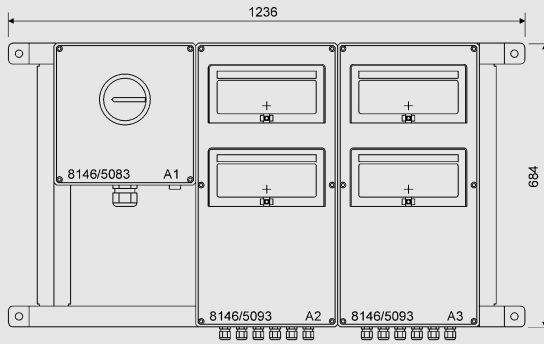
Layout 02



10297E00

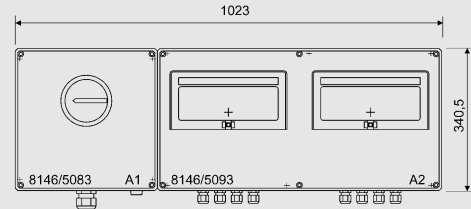
Layout 03

10298E00

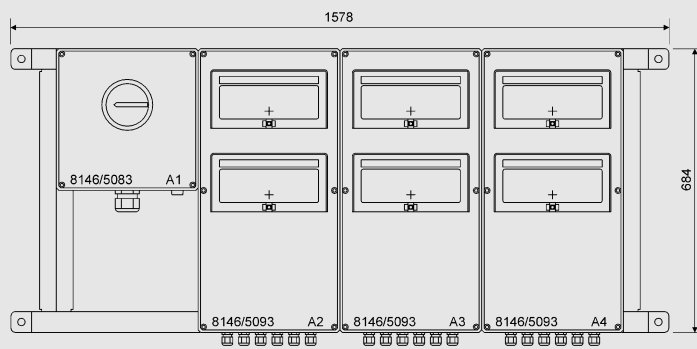


Layout 04

10299E00



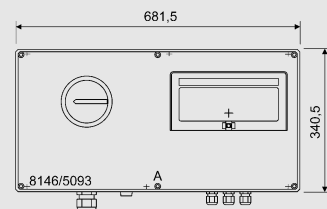
10302E00



Layout 05

10301E00

Layout 07



10300E00

Layout 06

We reserve the right to make alterations to the technical data, weights, dimensions, designs and products available without notice. The illustrations cannot be considered binding.

