



10025E00

Preset Pulse Counter for Panel Mounting Series 8214

- Has the following features:
 - High input frequency, max. 5 kHz
 - Various input options
 - High counting accuracy
 - High security against interference voltages

Selection table

Version	Description	Ordering code	Weight kg	
8214 Preset pulse counter	Standard mechanical and electronic pulse generators	Mechanical pulse generator, max. 30 Hz	8214/122-2-S30	5,500
		Electronic pulse generator, max. 5 kHz	8214/122-2-S34	5,500
		Voltage pulses, max. ± 40 V	8214/122-2-S35	5,500
	Version for EEx i input pulse	Electronic pulse generator	8214/122-2-S36	5,500
		Mechanical pulse generator	8214/122-2-S33	5,500
		Electronic pulse generator to NAMUR	8214/122-2-S32	5,500

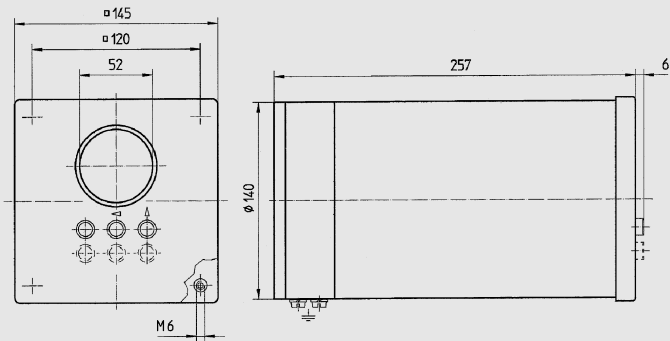
Add. to ordering code

Voltage and frequency

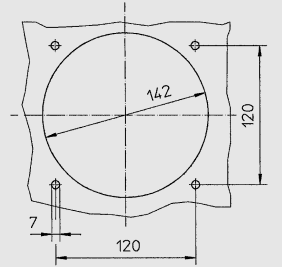
Technical Data

Explosion protection	⊕ II 2 G EEx de IIC T6
Certificates	PTB 02 ATEX 1102
Enclosure material	Aluminium, powder coated
Preset pulse counter	
Rated voltage	100 V ... 240 V ± 10 %, 50/60 Hz possible 24 V AC ± 10 % 24 V DC - 5 % + 10 %
Indicator	5-figure, 7 LED, red, 7 mm high
Duty rating	100 % ED
Counting method	additive
Output	Relay output; 1 changeover
Switching voltage	max. 250 V
Contact rating	max. 100 VA
Operating temperature range	- 10 °C ... + 40 °C
Mechanical data	
Degree of protection	IP 54

Dimension drawings (all dimensions in mm) - subject to alterations



Remove cable entries and earthing terminals when fitting



Preset pulse counter, 8214/122-2-S..

Panel cutout

We reserve the right to make alterations to the technical data, weights, dimensions, designs and products available without notice. The illustrations cannot be considered binding.