



Potentiometer for Panel Mounting Series 8218

Series 8218 potentiometers are available as slide-wire potentiometers with a rated capacity of 10 W and as precision potentiometers with a rated capacity of 3 W or 5 W.

Selection table

Version	Description	Rated power	Resistance values	Ordering code	Weight kg
8218 Potentiometer	Slide wire	10 W	4,7; 10; 22; 47; 100; 470 Ohm 1; 2,2; 4,7; 10; 20 kOhm	8218/311-5-S13-...	1,300
	Precision helical 10-turn design	5 W	50; 100; 200; 500 Ohm 1; 2; 5; 10; 20; 50; 100; 200; 500 kOhm	8218/212-5-S12-...	1,300

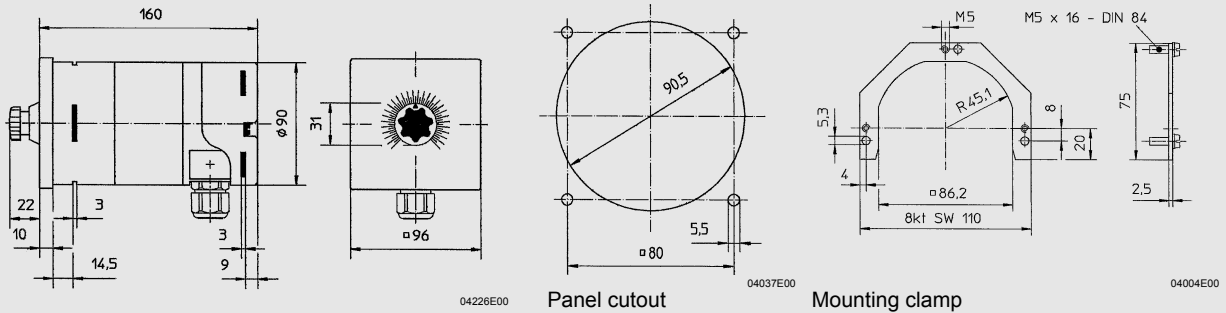
Add. to ordering code

Complete resistance value

Technical Data

Version	Slide wire 10 W	Precision helical 10-turn design , 5 W
Explosion protection	⊕ II 2 G EEx de IIC T6	⊕ II 2 G EEx de IIB T6
Certificates	PTB 02 ATEX 1105	PTB 02 ATEX 1107
Other certificates	IECEX	IECEX
Enclosure material	Polyester resin; colour dark grey, RAL 7024	Polyester resin; colour dark grey, RAL 7024
Front plate size	96 x 96 mm	96 x 96 mm
Potentiometer		
Resistance values	4,7 Ohm ... 20 kOhm	50 Ohm ... 500 kOhm
Characteristic	linear	linear
Tolerance	± 5 %	± 3 %
Test voltage	2500 V, AC	1000 V, AC
Adjustment scale	270 °	3600; + 10 ° bis 0 ° 10 rotations with precision scale driver
Operating temperature range	- 20 °C ... + 40 °C	- 20 °C ... + 40 °C
Mechanical data		
Degree of protection	IP 54	IP 54
Flexible lead	max. 1,5 mm ² flexible/solid	max. 1,5 mm ² flexible/solid
Cable entries	1 x M 20 x 1,5 cable gland	1 x M 20 x 1,5 cable gland

Dimension drawings (all dimensions in mm) - subject to alterations



Slide wire potentiometer, 8218/311-5-...

Panel cutout
 Fixing for enclosure 8218

Mounting clamp

We reserve the right to make alterations to the technical data, weights, dimensions, designs and products available without notice. The illustrations cannot be considered binding.

