

#### Lighting and Heating Panel CUBEx Series 8264/5-ExV

- Explosion protection to
  - ATEX
  - IEC
- Can be used in
  - Zone 1 and Zone 2
  - Zone 21 and Zone 22
- Enclosures with Ex d protection
- Available versions:
  - with MCB, characteristics C
  - with MCB / ELCB, characteristics B resp. C
- Advantage
  - Short delivery time

STAHL

The mains connection switch of the lighting and heating panels CUBEx Series 8264/5-ExV is operated through the side wall via an actuation mechanism. The circuit breakers are fitted on the second mounting level and are actuated via rotary drives. As an option it is possible to fit test keys to the ELCBs to make it possible to actuate them without opening the cover. Four drill holes are provided for in the back wall of the enclosure for fixing the devices. Delivery of a wall fastening rail is optionally possible. Cable entry is done directly via tapped holes, wired directly to the switches. For current distribution the original comb type rails are used at the switching units. A typical design allows for 12 or 24 circuit breakers. Different designs upon request.

# Zones 1 & 2, 21 & 22

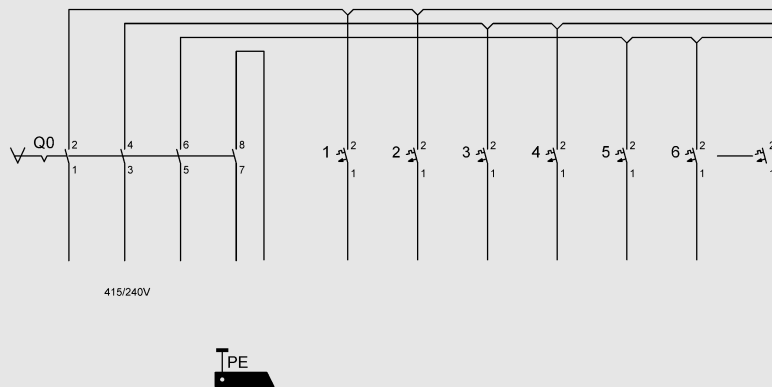
**Technical Data**

|                           |  |
|---------------------------|--|
| Explosion protection      |  |
| Gas explosion protection  | II 2 G EEx d IIB T6 (others on request)  |
| Dust explosion protection | II 2 D IP66 T80 °C   |
| Certificates              |  |
| Gas explosion protection  | KEMA 01 ATEX 2145  |
| Dust explosion protection | KEMA 01 ATEX 2145  |
| Other certificates        | IECEX  |
| Rated voltage             | 415 V / 240 V, AC  |
| Rated current             | 100 A  |
| Ambient temperature       | - 20 °C ... + 40 °C  |
| Degree of protection      | IP 66 (EN 60 529)  |
| Housing                   | Standard: Aluminium (AlSi 7Mg) (saltwater-proof according to EN 13890)<br>Special: Stainless steel (S5316L) on request |
| Note                      | Further rated currents 6 A, 10 A, 20 A   |

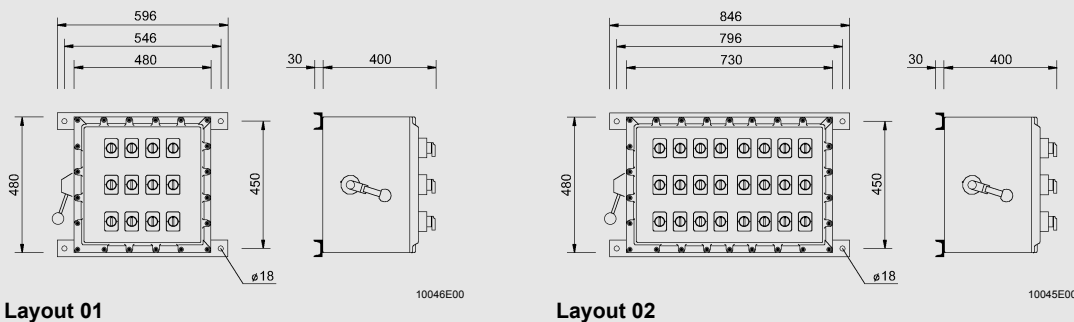
**Selection Table**

| Version         | Quantity | Characteristics | Layout No. | Cable entries       | Ordering Code            |
|-----------------|----------|-----------------|------------|---------------------|--------------------------|
| MCB 1-pole 16 A | 12       | C               | 01         | 1 x M 50, 12 x M 20 | 8264/5-ExV-01-12L16C1P-D |
|                 | 24       | C               | 02         | 1 x M 50, 24 x M 20 | 8264/5-ExV-02-24L16C1P-D |

Schematic



**Dimension drawings** (all dimensions in mm) - subject to alterations



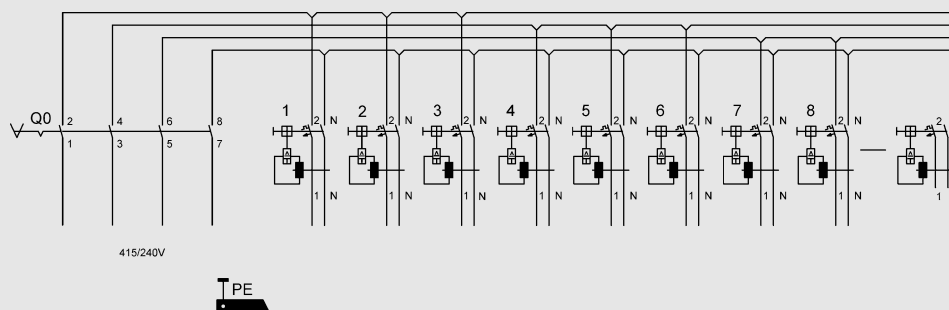
### Technical Data

|                           |  |
|---------------------------|--|
| Explosion protection      |  |
| Gas explosion protection  | ⊕ II 2 G EEx d IIB T6 (others on request)  |
| Dust explosion protection | ⊕ II 2 D IP66 T80 °C   |
| Certificates              |  |
| Gas explosion protection  | KEMA 01 ATEX 2145  |
| Dust explosion protection | KEMA 01 ATEX 2145  |
| Other certificates        |  |
| IECEX                     |  |
| Rated voltage             | 415 V / 240 V, AC  |
| Rated current             | 100 A  |
| Ambient temperature       | - 20 °C ... + 40 °C  |
| Degree of protection      | IP 66 (EN 60 529)  |
| Housing                   | Standard: Aluminium (AlSi 7Mg) (saltwater-proof according to EN 13890)<br>Special: Stainless steel (S5316L) on request |
| Note                      | Further rated currents 6 A, 10 A, 20 A, 25 A, 40 A   |

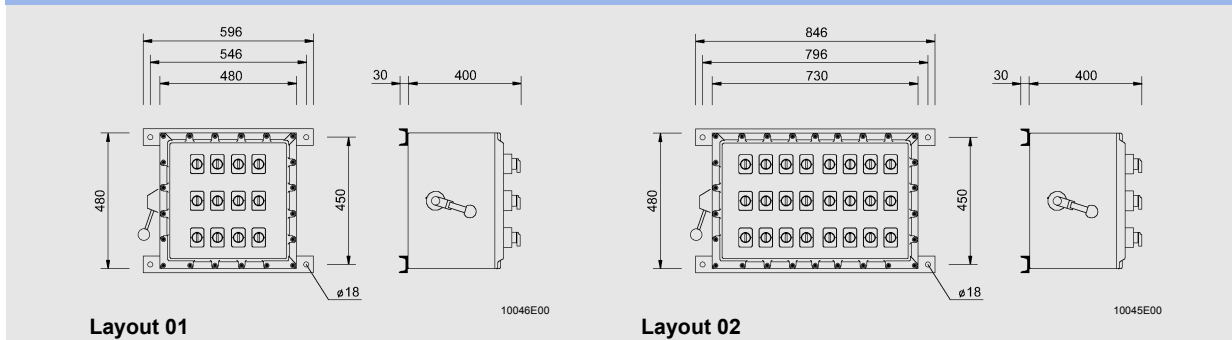
### Selection Table

| Version                                  | Quantity | Characteristics | Layout No. | Cable entries       | Ordering Code                   |
|--|----------|-----------------|------------|---------------------|---------------------------------|
| MCB / ELCB<br>1-pole<br>+ N 16 A / 30 mA | 12       | B               | 01         | 1 x M 50, 12 x M 20 | <b>8264/5-ExV-01-12H16B1N-D</b> |
|  | 24       | B               | 02         | 1 x M 50, 24 x M 20 | <b>8264/5-ExV-02-24H16B1N-D</b> |
|  | 12       | C               | 01         | 1 x M 50, 12 x M 20 | <b>8264/5-ExV-01-12H16C1N-D</b> |
|  | 24       | C               | 02         | 1 x M 50, 24 x M 20 | <b>8264/5-ExV-02-24H16C1N-D</b> |

### Schematic



### Dimension drawings (all dimensions in mm) - subject to alterations



We reserve the right to make alterations to the technical data, weights, dimensions, designs and products available without notice. The illustrations cannot be considered binding.