



08374E00

Relay Series 8510

- Explosion protection according to
 - CENELEC
 - IEC
- For use in Zone 1 and Zone 2
- For use in Ex e-enclosure

Selection Table

Version	Circuit diagram	Rated operating voltage	Order number	Weight kg
Relay with 2 change-over contacts		AC: 220 V / 230 V, 50 Hz / 60 Hz	8510/111-02-209-...0	0.860

08376E00

Order number supplement

Rated operating voltage	AC: 12 V, 50 Hz / 60 Hz	8510/...-02-...-01.
	AC: 24 V, 50 Hz / 60 Hz	8510/...-02-...-02.
	AC: 48 V, 50 Hz / 60 Hz	8510/...-02-...-03.
	AC: 48 V, 50 Hz / 60 Hz	8510/...-02-...-04.
	AC: 220 V / 230 V, 50 Hz / 60 Hz	8510/...-02-...-05.
	DC: 12 V	8510/...-02-...-21.
	DC: 24 V	8510/...-02-...-22.
	DC: 48 V	8510/...-02-...-23.
	DC: 110 V	8510/...-02-...-24.

STAHL

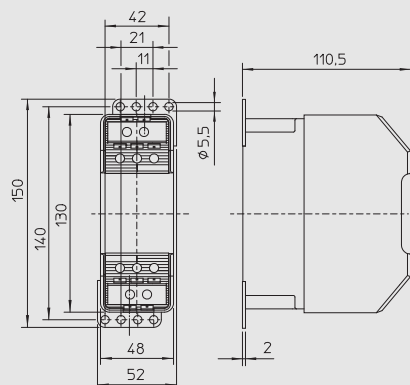
Technical Data

Explosion protection	
Certificates	DMT 00 ATEX E 073 U
Other certificates	IECEX, Canada (CSA), Belarus (Promatomnadzor)
Ambient temperature	
Storage	- 40 °C ... + 85 °C
Operation at U _c	- 20 °C ... + 40 °C
Main circuit	
Rated operational voltage	max. 250 V
Rated operational frequency	50 Hz / 60 Hz
Short circuit protection	Connect appropriate fuse in series
Switching capacity	0.3 kW for AC 3 operation (AC 230 V single-phase motor)
	AC1 max. 2000 VA
	AC15 (AC 230 V) max. 400 VA
Maximum switching current	at DC1 30 V 110 V 220 V 5 A 0.3 A 0.12 A
Minimal switching capacity	300 mW at 5 V / 5 mA
Contact material	AgNi

Technical Data

Control circuit	
Response time	7 ms
Drop-out time	3 ms
AC	
Rated operating voltage	U_c 50 Hz / 60 Hz: 12 V ... 230 V
Operation range	0.8 ... 1.1 U_c at 50 Hz / 60 Hz
Drop out value	$\geq 0.2 U_c$
Hold voltage	$\geq 0.8 U_c$
Electrical service life	100 thousand switching cycles
Mechanical service life	10 million switching cycles
DC	
Rated operating voltage	U_c : 24 V ... 110 V
Operation range	0.73 ... 1.5 U_c
Drop out value	$\geq 0.1 U_c$
Hold voltage	$\geq 0.4 U_c$
Mechanical service life	20 million switching cycles
Conductor cross section	0.75 ... 1.5 mm ² finely stranded 0.75 ... 2.5 mm ² solid
Material	
Enclosure material	Epoxy resin
Terminal cover	Polyamide; IP20, finger-contact safety according to IEC 60 529

Dimensional drawings (all dimensions in mm) - subject to alterations



8510/111

07850E00

STAHL

We reserve the right to make alterations to the technical data, weights, dimensions, designs and products available without notice. The illustrations cannot be considered binding.