



10173E00

Contactor Relay Series 8510

- Explosion protection to
 - IEC
 - ATEX
- for use in Zone 1 and Zone 2
- for use in Ex e-enclosures


Selection Table

Version	Circuit diagram	Rated operating voltage	Order number	Weight kg
Contactor relay with 4 contacts 		AC: 220 / 230 V, 50 / 60 Hz	8510/141-03-606-040	1.324
		* AC: 230 / 240 V, 50 / 60 Hz	8510/141-03-606-070	1.324
		* DC: 24 V	8510/141-03-606-210	1.357
		Please refer to order number supplement and add it to the type	8510/141-03-606-...0	1.360

Order Number Supplement

Rated operating voltage	AC: 24 V, 50 / 60 Hz	AC: 24 V, 50 / 60 Hz	8510/.....-01.
	AC: 42 V, 50 / 60 Hz	AC: 42 V, 50 / 60 Hz	8510/.....-02.
	* AC: 110 V, 50 / 60 Hz	* AC: 110 V, 50 / 60 Hz	8510/.....-03.
	AC: 220 / 230 V, 50 / 60 Hz	AC: 220 / 230 V, 50 / 60 Hz	8510/.....-04.
	AC: 380 / 400 V, 50 / 60 Hz	AC: 380 / 400 V, 50 / 60 Hz	8510/.....-05.
	AC: 500 V, 50 / 60 Hz	AC: 500 V, 50 / 60 Hz	8510/.....-06.
	* AC: 230 / 240 V, 50 / 60 Hz	* AC: 230 / 240 V, 50 / 60 Hz	8510/.....-07.
	AC: 400 / 415 V, 50 / 60 Hz	AC: 400 / 415 V, 50 / 60 Hz	8510/.....-08.
	* DC: 24 V	* DC: 24 V	8510/.....-21.
	DC: 12 VDC	DC: 12 V	8510/.....-22.
	* DC: 48 V	* DC: 48 V	8510/.....-23.
	DC: 110 VDC	DC: 110 V	8510/.....-24.
	DC: 200 VDC	DC: 200 V	8510/.....-25.
	DC: 230 VDC	DC: 230 V	8510/.....-26.
DC: 240 VDC	DC: 240 V	8510/.....-27.	

Selection Table

Version	Circuit diagram	Rated operating voltage	Order number	Weight kg
Contactor relay with max. 7 contacts 	Please state with order	Please refer to order number supplement and add it to the type	8510/122-03-600-...0	1.850

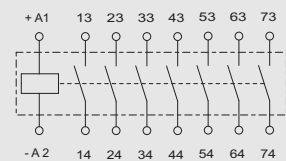
Order Number Supplement

Rated operating voltage	AC: 24 V, 50 / 60 Hz	8510/.....-01.
	AC: 42 V, 50 / 60 Hz	8510/.....-02.
	* AC: 110 V, 50 / 60 Hz	8510/.....-03.
	AC: 220 / 230 V, 50 / 60 Hz	8510/.....-04.
	AC: 380 / 400 V, 50 / 60 Hz	8510/.....-05.
	AC: 500 V, 50 / 60 Hz	8510/.....-06.
	* AC: 230 / 240 V, 50 / 60 Hz	8510/.....-07.
	AC: 400 / 415 V, 50 / 60 Hz	8510/.....-08.
	* DC: 24 V	8510/.....-21.
	DC: 12 V	8510/.....-22.
	* DC: 48 V	8510/.....-23.
	DC: 110 V	8510/.....-24.
	DC: 200 V	8510/.....-25.
	DC: 230 V	8510/.....-26.
DC: 240 V	8510/.....-27.	

Contacts

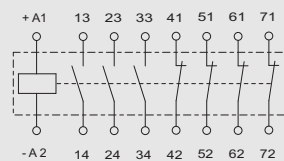
Please state contact arrangement in text

7 NO



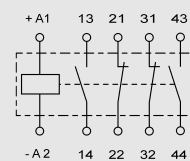
10624E

3 NO+ 4 NC



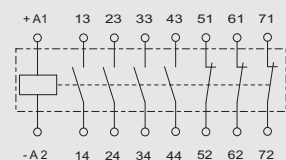
10625E

2 NO+ 2 NC



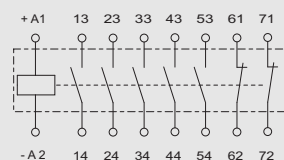
10630E00

4 NO + 3 NC



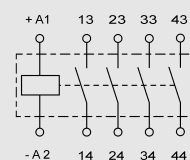
10626E

5 NO + 2 NC



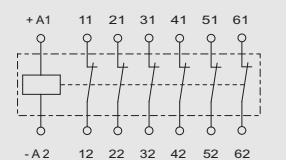
10627E

4 NO



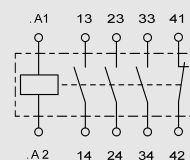
10632E00

6 NC



10628E

3 NO+ 1 NC



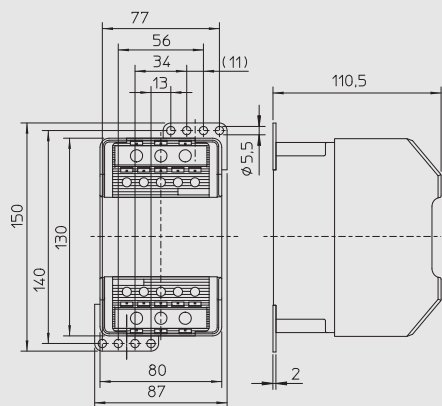
10629E



Technical data

Explosion protection	⊕ II 2G EEx de [ia] IIC bzw./or I M2 EEx de I	
Certificates	DMT 00 ATEX E 073 U Note: The control units Series 8510 must be installed in certified enclosures of type of protection "increased safety" (EEx e).	
Other certificates	IECEX, Canada (CSA), Belarus (Promatomnadzor)	
Ambient temperature		
Storage	- 50 ... + 80 °C	
Operation at U _c	- 20 ... + 40 °C	
Rated operating voltage	Coil voltage possible:	
	AC (50 / 60 Hz)	24 V 42 V 110 V* 220 / 230 V 230 / 240 V* 380 / 400 V 400 / 415V 500 V
	DC	24 V* 12 V 48 V* 110 V 200 V 230 V 240 V
	* Preferred voltage	
Voltage range	(≤ 50 °C) (coil)	
	Operation range	0.8 ... 1.15 U _c 50 Hz 0.85 ... 1.1 U _c 60 Hz
Average power consumption	at U _c and 20 °C	
	AC-coil	DC-coil
	Pick-up	30 VA 3 W
	Holding	4,5 VA 3 W
Auxiliary contacts		
Rated operational voltage U _e	max. 690 V	
Conventional thermal current I _{th}	6 A at $\ddot{E} \leq 50$ °C	
Frequency range	... 400 Hz	
Minimum switching capacity	U _{min} (DIN 19 240)	= 17 V
	I _{min}	= 5 mA
Short circuit protection	10 A, gL; to IEC 947, VDE 0660 / IEC 60947	
Max. operating cycles	10 000 switching cycles / h	
Connection cross-section		
Auxiliary contacts	0.75 ... 1.5 mm ² flexible 0.75 ... 2.5 mm ² solid	
Mechanical life	10 Mio. switching cycles at U _c (coil 50 / 60 Hz) 20 Mio. switching cycles at U _c (DC-coil)	
Material		
Enclosure material	Epoxy resin	
Terminal cover	Polyamide; IP20, finger-contact safety according to IEC 60529	

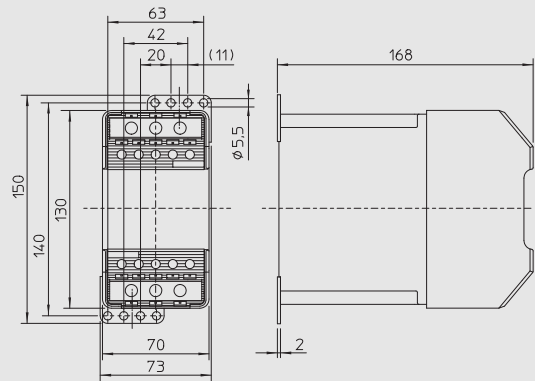
Dimension Drawings (All Dimensions in mm) - Subject to Alteration



Type	Dimension H
8510/122	168 mm
8510/141	110.5 mm

07853E00

8510/141



07851E00

8510/122

We reserve the right to make alterations to the technical data, dimensions, weights, designs and products available without notice. The illustrations cannot be considered binding.

