



10173E00

Contactor Relay for PLC Series 8510

- Explosion protection to
 - CENELEC
 - IEC
- for use in Zone 1 and Zone 2
- for use in Ex e-enclosures

Selection Table

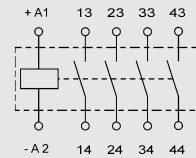
Version	Schematic	Rated operating voltage	Ordering code	Weight kg
Contactor relay with 4 contacts DC version for PLC	Please take the contact assignment from the order number supplement and add it to the type	Please complete ordering code	8510/141-10-600-...0	1.360

Order Number Supplement

Rated operating voltage	* DC: 24 V	8510/...-...-21.
	DC: 12 V	8510/...-...-22.
	* DC: 48 V	8510/...-...-23.
	DC: 110 V	8510/...-...-24.

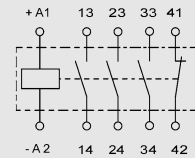
Contacts Please state contact arrangement in text

4 NO



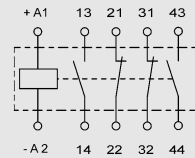
10632E00

3 NO + 1 NC



10631E00


2 NO + 2 NC



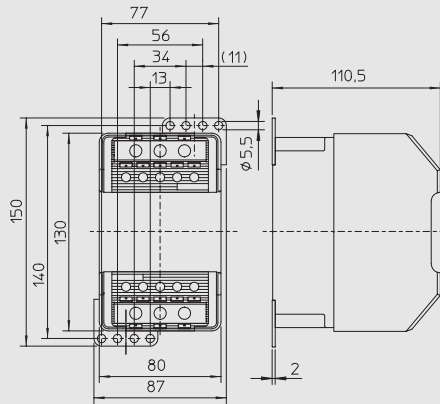
10630E00

10630E00

* Preferred voltage

Technical Data	
Explosion protection	 II 2G Ex de IIC  I M2 Ex de I
Certificates	DMT 00 ATEX E 073 U
Other certificates	IECEX (DEKRA EXAM), Canada (CSA), Belarus (Promatomnadzor)
Ambient temperature	
Storage	- 50 °C ... + 80 °C
Operation at U _c	- 20 °C ... + 40 °C
Rated operating voltage	DC 12 V 24 V* 48 V* 110 V * Preferred voltage
Voltage range	(≤ 50 °C) (coil) Operating range 0.7 ... 1.3 U _c
Average power consumption	at U _c and 20 °C Pick-up 1.8 W Holding 1.8 W
Auxiliary contacts	
Rated operational voltage U _e	max. 690 V
Conventional thermal current I _{th}	6 A at θ ≤ 50 °C
Minimum switching capacity	U _{min} (DIN 19 240) = 17 V I _{min} = 5 mA
Back-up fuse	10 A, gL; to IEC 947, VDE 0660 / IEC 60947
Max. operating cycles	6 000 switching cycles / h
Lead cross-section	
Auxiliary contacts	0.75 ... 1.5 mm ² flexible 0.75 ... 2.5 mm ² solid
Mechanical life	30 Mio. switching cycles
Material	
Enclosure material	Epoxy resin
Terminal cover	Polyamide; IP 20, finger-contact safety to IEC 60 529



Dimensional Drawings (All Dimensions in mm) - Subject to Alterations

07853E00

8510/141

We reserve the right to make alterations to the technical data, weights, dimensions, designs and products available without notice. The illustrations cannot be considered binding.