



12009E00

### Latching Relay Series 8510

- Explosion protection according to
  - CENELEC
  - IEC
- For use in Zone 1 and Zone 2
- For use in Ex e-enclosure

#### Selection Table

Version	Circuit diagram	Rated operating voltage	Order number	Weight kg
Latching relay with 2 NOs		Please refer to order number supplement and add to type	<b>8510/111-00-208-...0</b>	1.200

05914E00

#### Order number supplement

Rated operating voltage	AC: 12 V, 50 Hz / 60 Hz	<b>8510/...-00-...-010</b>
	AC: 24 V, 50 Hz / 60 Hz	<b>8510/...-00-...-020</b>
	AC: 48 V, 50 Hz / 60 Hz	<b>8510/...-00-...-030</b>
	AC: 110 V, 50 Hz / 60 Hz	<b>8510/...-00-...-040</b>
	AC: 230 V, 50 Hz / 60 Hz	<b>8510/...-00-...-050</b>
	DC: 12 V	<b>8510/...-00-...-210</b>
	DC: 24 V	<b>8510/...-00-...-220</b>
	DC: 48 V	<b>8510/...-00-...-230</b>
	DC: 110 V	<b>8510/...-00-...-240</b>

STAHL

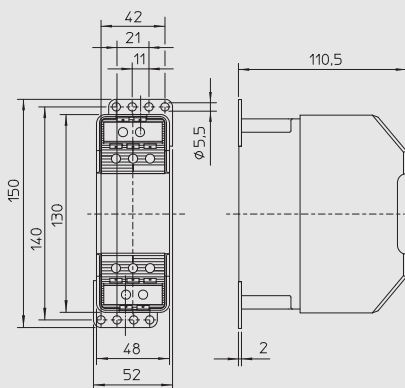
#### Technical Data

Certificates	DMT 00 ATEX E 073 U
Explosion protection	II 2G Ex de IIC I M2 Ex de I
Other certificates	IECEX, Canada (CSA), Belarus (Promatomnadzor)
Ambient temperature	
Storage	- 40 °C ... + 85 °C
Operation at U <sub>c</sub>	- 20 °C ... + 40 °C
Main circuit	
Rated operational voltage	max. 400 V
Rated operational frequency	50 Hz / 60 Hz
Short circuit protection	Connect appropriate fuse in series
Switching capacity	AC1                      max. 4000 VA AC15 (AC 230 V)    max. 750 VA
Minimal switching capacity	1000 mW at 10 V / 10 mA
Contact material	AgNi

**Technical Data**

<b>Control circuit</b>	
AC	
Rated operating voltage	$U_c$ 50 Hz / 60 Hz, AC: 12 V; 24 V; 48 V; 110 V; 230 V
Operation range	0.85 ... 1.1 $U_c$ at 50 Hz 0.9 ... 1.1 $U_c$ at 60 Hz
Electrical service life	100 thousand switching cycles
Mechanical service life	300 thousand switching cycles
DC	
Rated operating voltage	$U_c$ , DC: 12V; 24 V; 48 V; 100 V
Operation range	0.9 ... 1.1 $U_c$
<b>Conductor cross section</b>	
Auxiliary contacts	0.75 ... 1.5 mm <sup>2</sup> finely stranded 0.75 ... 2.5 mm <sup>2</sup> solid
<b>Material</b>	
Enclosure material	Epoxy resin
Terminal cover	Polyamide; IP20, finger-contact safety according to IEC 60 529

**Dimensional Drawings (All Dimensions in mm) - Subject to Alterations**



8510/111

07840E00

We reserve the right to make alterations to the technical data, weights, dimensions, designs and products available without notice. The illustrations cannot be considered binding.

