



09074E00

Reversing Starter max. 11 kW / 400 V Series 8510



- Explosion protection according to
 - CENELEC
 - IEC
- For use in Zone 1 and Zone 2
- For use in Ex e-enclosure

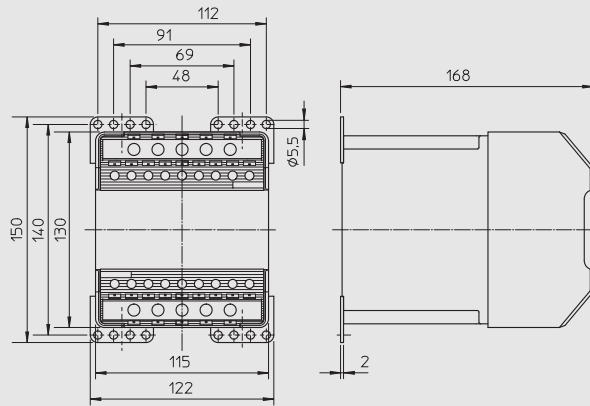
Selection Table

Version	Circuit diagram	Rated operating voltage	Order number	Weight kg
Reversing starter with 4 NO auxiliary contacts		Please specify on order	8510/132-08-434-...0-	3.100

Order number supplement

Rated operating voltage	AC: 24 V, 50 Hz / 60 Hz	8510/.....-01.
	AC: 42 V, 50 Hz / 60 Hz	8510/.....-02.
	* AC: 110 V, 50 Hz / 60 Hz	8510/.....-03.
	AC: 220 V / 230 V, 50 Hz / 60 Hz	8510/.....-04.
	AC: 380 V / 400 V, 50 Hz / 60 Hz	8510/.....-05.
	AC: 500 V, 50 Hz / 60 Hz	8510/.....-06.
	* AC: 230 V / 240 V, 50 Hz / 60 Hz	8510/.....-07.
	AC: 400 V / 415 V, 50 Hz / 60 Hz	8510/.....-08.
	* DC: 24 V	8510/.....-21.
	* DC: 48 V	8510/.....-23.
	* Preferred voltage	

Technical Data															
Explosion protection	 II 2G Ex de IIC  I M2 Ex de I														
Certificates	DMT 00 ATEX E 073 U														
Other certificates	IECEX, Canada (CSA), Belarus (Promatomnadzor)														
Ambient temperature															
Storage	- 50 °C ... + 80 °C														
Operation at U _c	- 20 °C ... + 40 °C														
Main circuit															
Rated operational voltage	max. 690 V														
Rated operational frequency	50 Hz / 60 Hz														
Conventional thermal current I _{th}	25 A														
Short circuit protection	Via fuse: 35 A gL														
Switching capacity	Rated powers of three-phase motors 50 Hz / 60 Hz, according to AC3														
	<table border="1"> <thead> <tr> <th>U_e [V]</th> <th>220 / 230</th> <th>380 / 400</th> <th>415</th> <th>440</th> <th>500</th> <th>660 / 690</th> </tr> </thead> <tbody> <tr> <td>P [kW]</td> <td>5.5</td> <td>11</td> <td>11</td> <td>11</td> <td>15</td> <td>15</td> </tr> </tbody> </table>	U _e [V]	220 / 230	380 / 400	415	440	500	660 / 690	P [kW]	5.5	11	11	11	15	15
U _e [V]	220 / 230	380 / 400	415	440	500	660 / 690									
P [kW]	5.5	11	11	11	15	15									
Auxiliary switch															
Conventional thermal current I _{th}	10 A														
Short circuit protection	via fuse: 10 A gL; acc. to VDE 0660 / IEC 60947														
Switching capacity	AC15: 6 A / 500 V														
Control circuit															
AC															
Rated operating voltage	U _c 50 Hz / 60 Hz: 24 V ... 500 V														
Operation range	Coil 50 Hz / 60 Hz 50 Hz: 0.8 ... 1.1 U _c 60 Hz at 60 °C: 0.85 ... 1.1 U _c														
Drop out value	Coil 50 Hz / 60 Hz at 60 °C: 0.3 ... 0.6 U _c														
Average power input	at U _c and 20 °C Pick-up: 70 VA Hold: 7 VA														
DC															
Rated operating voltage	U _c : 12 V ... 440 V														
Operation range	at 60 °C: 0.7 ... 1.25 U _c														
Drop out value	at 60 °C: 0.1 ... 0.25 U _c														
Average power consumption	at U _c and 20 °C Pick-up: 5.4 W Hold: 5.4 W														
Mechanical service life	at U _c : 30 Mio. switching cycles														
Maximum switching frequency	3600 switching cycles per hour														
Conductor cross section															
Main contacts	1.5 ... 6 mm ² finely stranded 1.5 ... 10 mm ² solid														
Auxiliary contacts	0.75 ... 1.5 mm ² finely stranded 0.75 ... 2.5 mm ² solid														
Material															
Enclosure material	Epoxy resin														
Terminal cover	Polyamide; IP20, finger-contact safety according to IEC 60 529														

Dimensional Drawings (All Dimensions in mm) - Subject to Alterations

07840E00

8510/132

We reserve the right to make alterations to the technical data, weights, dimensions, designs and products available without notice. The illustrations cannot be considered binding.