



08385E00

Thermistor-Motor Protection Relay Series 8510

- Explosion protection according to
 - CENELEC
 - IEC
- For use in Zone 1 and Zone 2
- For use in Ex e-enclosure

Selection Table

| Version | Circuit diagram | Rated operating voltage | Order number | Weight kg |
|-----------------------------------|-----------------|-------------------------|-----------------------------|--------------|
| Thermistor-Motor protection relay | | Please specify on order | 8510/112-05-400-...0 | 1.250 |

08382E00

Order number supplement

| | | |
|-------------------------|--------------------|----------------------------|
| Rated operating voltage | AC / DC 24 V | 8510/...-05-...-21. |
| | AC 110 V ... 130 V | 8510/...-05-...-22. |
| | AC 220 V ... 240 V | 8510/...-05-...-23. |
| | AC 380 V ... 440 V | 8510/...-05-...-24. |

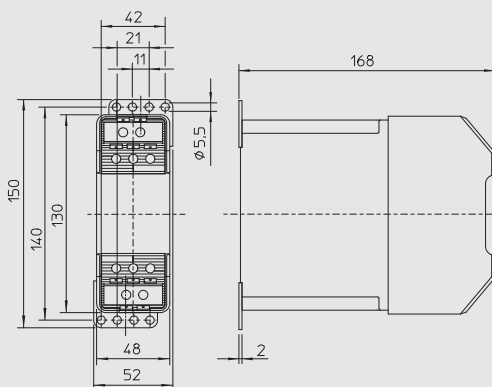
Technical Data

| | |
|--|--|
| Explosion protection | |
| Certificates | DMT 00 ATEX E 073 U |
| Other certificates | IECEX, Canada (CSA), Belarus (Promatomnadzor) |
| Ambient temperature | |
| Storage | - 40 °C ... + 85 °C |
| Operation at U _c | - 20 °C ... + 40 °C |
| Main circuit | |
| Rated operational voltage | AC / DC 24 V AC 110 V ... 130 V AC 220 V ... 240 V AC 380 V ... 400 V |
| Rated operational frequency | 50 Hz / 60 Hz |
| Conventional thermal current I _{th} | 2 A |
| Short circuit protection | 2 A gL, 440 V |
| Voltage range | - 15 % ... 10 % |
| Control circuit | |
| Remote reset | S1 - T2 NO contact |
| Max. no-load voltage | approx. 25 V |
| With short-circuit monitoring | T1 / T2 |
| Reset key | S1 |
| Mechanical service life | 30 million switching cycles |

Technical Data

| | |
|---------------------------|--|
| Input circuit | |
| Power input | Supply voltage A1 / A2 |
| | AC / DC 24 V approx. 1.1 VA / 0.6 W |
| | AC 110 V - 130 V approx. 1.5 VA |
| | AC 220 V - 240 V approx. 1.5 VA |
| | AC 380 V - 440 V approx. 1.7 VA |
| Rated frequency | AC 50 Hz / 60 Hz |
| Duty cycle | 100 % |
| Output circuit | |
| Max. switching voltage | 250 V |
| Rated operational current | AC 15 / 230 V 2 A AC 13 / 24 V 2 A |
| Mechanical service life | 30 million switching cycles |
| Conductor cross section | 0.75 ... 1.5 mm ² finely stranded 0.75 ... 2.5 mm ² solid |
| Material | |
| Enclosure material | Epoxy resin |
| Terminal cover | Polyamide; IP20, finger-contact safety according to IEC 60 529 |

Dimensional Drawings (All Dimensions in mm) - Subject to Alterations



8510/112

07852E00

We reserve the right to make alterations to the technical data, weights, dimensions, designs and products available without notice. The illustrations cannot be considered binding.

