



12504E00

Residual Current Circuit-Breaker with Integral Overcurrent Protection Series 8562

- Explosion protection to
 - CENELEC
 - IEC
- Can be used in Zone 1 and Zone 2
- With residual current measurement and tripping device
- With 2-pole switching miniature circuit-breaker for overload and short-circuit

STAHL

The FI/LS circuit-breaker is the perfect protection for

- shorting to earth,
- overload and
- short-circuits.

The FI/LS circuit-breaker contains a residual current measurement and triggering device as well as the switching miniature circuit breaker with its proven design features and tripping characteristics. This therefore replaces the separate "FI circuit-breaker" and "miniature circuit-breaker", saving fitting cost and mounting space.

Zones 1 & 2

Selection Table B-Characteristic

Breaking capacity kA	No. of poles	Rated residual current $I_{\Delta N}$	Rated current	Module width mm	Order number	Weight kg
6	2-pole	30 mA	16 A	99	8562/54-2050-160	1.800
10	1-pole + N	30 mA	10 A	54	8562/52-5250-100	1.200
			16 A	54	8562/52-5250-160	1.200
			16 A	72	8562/53-5255-160	1.500
			16 A	72	8562/53-5254-160	1.500
			20 A	54	8562/52-5250-200	1.200
			25 A	54	8562/52-5250-250	1.200
			25 A	72	8562/53-5255-250	1.500
			6 A	54	8562/52-5250-060	1.200

Selection Table C-Characteristic

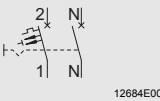
Breaking capacity kA	No. of poles	Rated residual current $I_{\Delta N}$	Rated current	Module width mm	Order number	Weight kg	
6	2-pole	30 mA	16 A	99	8562/54-2075-160	1.800	
			20 A	99	8562/54-2075-200	1.800	
			32 A	99	8562/54-2075-320	1.800	
10	1-pole + N	30 mA	10 A	54	8562/52-5270-100	1.200	
			16 A	54	8562/52-5270-160	1.200	
			16 A	72	8562/53-5270-160-25	1.500	
			16 A	72	8562/53-5275-160	1.500	
			300 mA	16 A	72	8562/53-5285-160	1.500
			30 mA	6 A	72	8562/53-5274-060	1.500
		2-pole	30 mA	16 A	99	8562/54-2475-160-4	1.800

Note Type: 8562/53-5270-160-25 with coupling relais.
 Type: 8562/54-2475-160-4 with reset for fault indication contact.



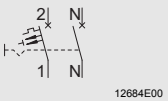
Residual Current Circuit-Breaker with Integral Overcurrent Protection Series 8562

**Residual current circuit-breaker with integral overcurrent protection 1-pole + N
Selection table - Order Specific Configuration**

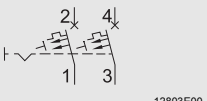
Version		Ordering code		
B-Characteristic	Module width	Width 54 mm	Width 72 mm	
		8562/52-5.....	8562/53-5.....	
Add. to ordering code				
Breaking capacity / Rated leakage current in A	Breaking capacity	Rated leakage current in A		
		10 kA	0,01	8562/...33-....
		0,03	8562/...25-....	8562/...25-....
		0,3	8562/...26-....	--
Auxiliary contact	without		8562/...0-..	--
	1 CO		--	8562/...4-..
	Fault signal 1 CO		--	8562/...5-..
	2 NO - 1 NO normal and 1 NO fault signal		--	8562/...8-..
Rated current in A (Rated leakage current 0,01 A only until 20 A Rated current)	6		8562/...-060	8562/...-060
	10		8562/...-100	8562/...-100
	13		8562/...-130	8562/...-130
	16		8562/...-160	8562/...-160
	20		8562/...-200	8562/...-200
	25		8562/...-250	8562/...-250
	32		8562/...-320	8562/...-320
	40		8562/...-400	8562/...-400

Residual Current Circuit-Breaker with Integral Overcurrent Protection Series 8562

Residual current circuit-breaker with integral overcurrent protection 1-pole + N Selection table - Order Specific Configuration

Version		Ordering code		
C-Characteristic	Module width	Width 54 mm	Width 72 mm	
		8562/52-5.....	8562/53-5.....	
Add. to ordering code				
Breaking capacity / Rated leakage current in A	Breaking capacity	Rated leakage current in A		
	10 kA	0,01	8562 / ... 34 - ...	--
		0,03	8562 / ... 27 - ...	8562 / ... 27 - ...
		0,3	8562 / ... 26 - ...	8562 / ... 26 - ...
Auxiliary contact	without		8562 / ... 0 - ...	--
	1 CO		--	8562 / ... 4 - ...
	Fault signal 1 CO		--	8562 / ... 5 - ...
	2 NO - 1 NO normal and 1 NO fault signal		--	8562 / ... 8 - ...
	Order specific		--	8562 / ... 9 - ...
Rated current in A (Rated leakage current 0,01 A only until 20 A Rated current)	6		8562 / ... -060	8562 / ... -060
	10		8562 / ... -100	8562 / ... -100
	13		8562 / ... -130	8562 / ... -130
	16		8562 / ... -160	8562 / ... -160
	20		8562 / ... -200	8562 / ... -200
	25		8562 / ... -250	8562 / ... -250
	32		8562 / ... -320	8562 / ... -320
40		8562 / ... -400	8562 / ... -400	

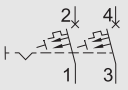
Residual current circuit-breaker with integral overcurrent protection 2-pole Selection table - Order Specific Configuration

Version		Ordering code	
B-Characteristic	Module width	Width 99 mm	
		8562/54-2...-...	
Add. to ordering code			
Breaking capacity / Rated leakage current in A	Breaking capacity	Rated leakage current in A	
		6 kA	0,03
		0,3	8562 /06 .- ...
	10 kA	0,03	8562 /25 .- ...
		0,3	8562 /26 .- ...
Auxiliary contact	without		8562 /0- ...
	1 CO		8562 /4- ...
	Fault signal 1 CO		8562 /5- ...
	2 CO - 1 CO normal and 1 CO Fault signal		8562 /6- ...
Rated current in A	6		8562 /060
	10		8562 /100
	13		8562 /130
	16		8562 /160
	20		8562 /200
	25		8562 /250
	32		8562 /320
	40		8562 /400

Residual Current Circuit-Breaker with Integral Overcurrent Protection Series 8562

11

Residual current circuit-breaker with integral overcurrent protection 2-pole Selection table - Order Specific Configuration

Version		Ordering code
C-Characteristic  <small>12803E00</small>	Module width	Width 99 mm
		8562/54-2...-...

Add. to ordering code

Breaking capacity / Rated leakage current in A	Breaking capacity	Rated leakage current in A	Ordering code
		6 kA	0,03
0,3			8562/...-08-...
10 kA		0,03	8562/...-27-...
		0,3	8562/...-28-...
Auxiliary contact	without		8562/...-0-...
	1 CO		8562/...-4-...
	Fault signal 1 CO		8562/...-5-...
	2 CO - 1 CO normal and 1 CO Fault signal		8562/...-6-...
Rated current in A	6		8562/...-060
	10		8562/...-100
	13		8562/...-130
	16		8562/...-160
	20		8562/...-200
	25		8562/...-250
	32		8562/...-320
	40		8562/...-400

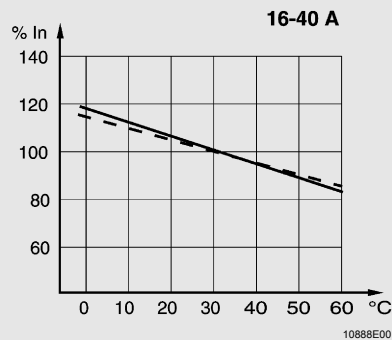
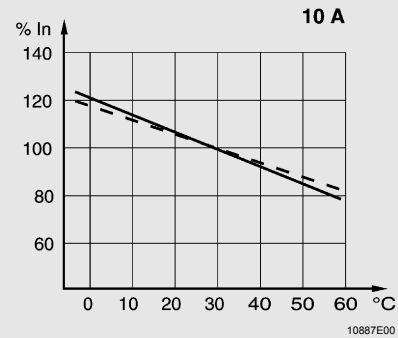
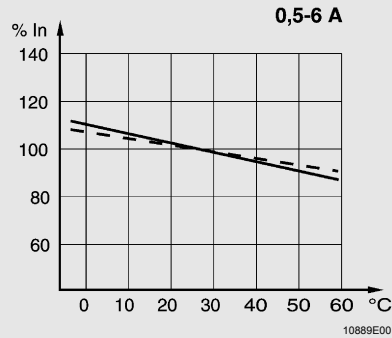
STAHL

Technical Data			
Type	8562/5		8562/54-2475-160-4
Explosion protection	Ⓢ II 2 G Ex de IIC Ⓢ I M 2 Ex de I		Ⓢ II 2 G Ex de IIC Ⓢ I M 2 Ex de I
Certificates	PTB 02 ATEX 1049 U		PTB 02 ATEX 1049 U
Other certificates	IECEX (PTB), Russia (CTB), Belarus (Promatomnadzor), Kazakhstan (JSC)		IECEX (PTB), Russia (CTB), Belarus (Promatomnadzor), Kazakhstan (JSC)
Rated operational voltage	127 V ... 230 V AC / 400 V AC		133 V ... 230 V AC; 400 V AC multipin; 125 V DC with 2 contact strips connected in series
Frequency	50 / 60 Hz		50 / 60 Hz
Rated working and leakage currents	1-pole + N (54 mm): $I_N = 6 \text{ A} \dots 20 \text{ A};$ $I_{fN} = 10 \text{ mA}$ $I_N = 6 \text{ A} \dots 40 \text{ A};$ $I_{fN} = 30 / 300 \text{ mA}$ 1-pole + N (72 mm): $I_N = 16 \text{ A}, 25 \text{ A};$ $I_{fN} = 30 \text{ mA}$ 2-pole (99 mm): $I_N = 6 \text{ A} \dots 40 \text{ A};$ $I_{fN} = 30 / 300 \text{ mA}$		2-pole (99 mm): $I_N = 16 \text{ A};$ $I_{fN} = 30 \text{ mA}$
Breaking capacity	6 kA resp. 10 kA 2-pole; 10 kA 1-pole + N (25 kA to IEC)		10 kA 2-pole
No. of poles	1-pole + N; 2-pole		2-pole
Note	for AC and pulsed DC; the breaker has an external test button for checking earth fault function.		
Characteristics	Characteristic to IEC/EN 60898	B	C
	Rated current range	6 A ... 40 A	6 A ... 40 A 16 A*
	Loads	> Electric heatings > Lighting > Socket outlet circuits > Control circuits e.t.c.	> Operating equipment > Light fitting groups > Motors > Transformers e.t.c.
	Normal temperature	30 °C	30 °C
	Thermal overload trip	1,13 ... 1,45 I_N	1,13 ... 1,45 I_N
	Magnetic trip	3 ... 5 I_N	5 ... 10 I_N
Ambient temperature	*) for Type 8562/54-2475-160-4 only - 20 ... + 60 °C In case of different temperature range please consider correction factor!		- 20 ... + 60 °C In case of different temperature range please consider correction factor!

Technical Data

Correction factors

Correction factors for ambient temperatures other than 30 °C



Type

8562/5

8562/54-2475-160-4

Degree of protection

Degree of protection acc. to IEC/EN 60529
Connecting terminals IP20

Degree of protection acc. to IEC/EN 60529
Connecting terminals IP20

Service life

mechanical

10⁴ switching cycles

10⁴ switching cycles

electrical

10⁴ switching cycles

10⁴ switching cycles

Mechanical data

Enclosure

Epoxy resin

Epoxy resin

Auxiliary switch

Version

see schematics

see schematics

Rated working current

5 A at 230 V AC
1 A at 60 V DC

2 A at 230 V AC
1 A at 400 V AC
2 A at 60 V DC

Coupling relays

Coil tension U_B

220 V

--

Minimum switching current

10 mA

--

Minimum switching current

5 A

--

Switching capacity

min. 250 mW

--

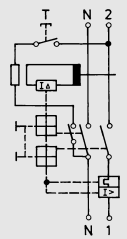


Technical Data

Short circuit protection		Back-up protection with preceding fuse				
		Following miniature circuit-breaker		Preceding fuse type		
				Tripping characteristic		
		Type	Rated current I_N [A]	C	B	B, C
8562/5		1	4	--	--	
		2	8	--	63	
		3	10	--	80	
		6	20	10		
		10	25	16		
		16	40	20	100*	
		16*	--	--		
		20	50	32		
		25	63	40	100	

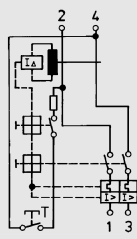
*) Only type: 8562/54-2475-160-4

Schematic



07606E00

1-pole + N



07621E00

2-pole



11536E00

Auxiliary contact 1 CO



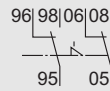
07618E00

Fault indication contact
1 CO with reset function
for fault signal*



12218E00

Auxiliary contact 1 NO
Fault indication contact
1 NO



12219E00

Auxiliary contact 1 CO
Fault indication contact
1 CO

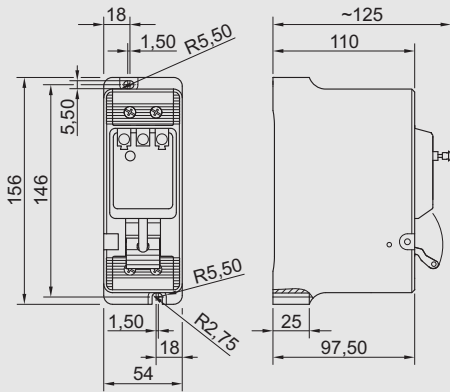


12469E00

Coupling relays
Auxiliary contact 1 NO

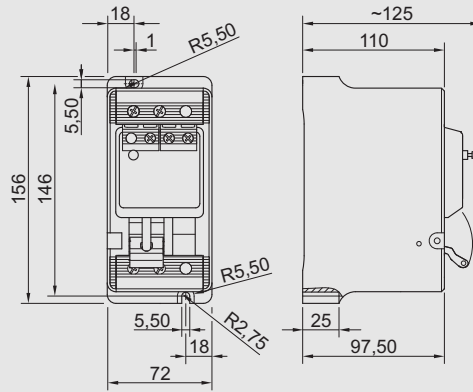
*) only type 8562/54-2475-160-4, manual reset of the fault indication contact without resetting the main contacts.

Dimensional Drawings (All Dimensions in mm) - Subject to Alterations



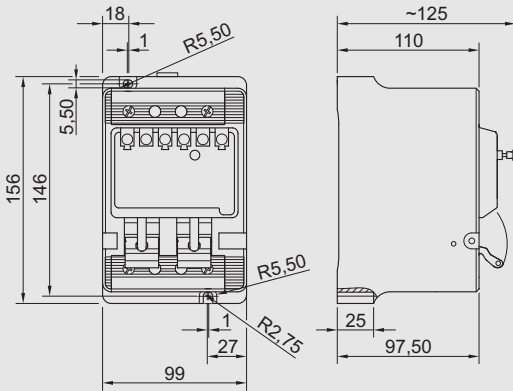
12464E00

8562/54-..., 1-pole + N



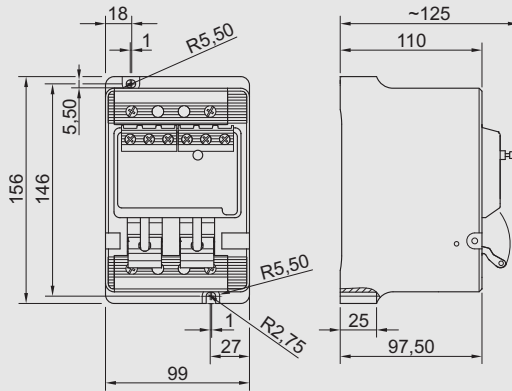
12465E00

8562/54-..., 1-pole + N with aux. contact



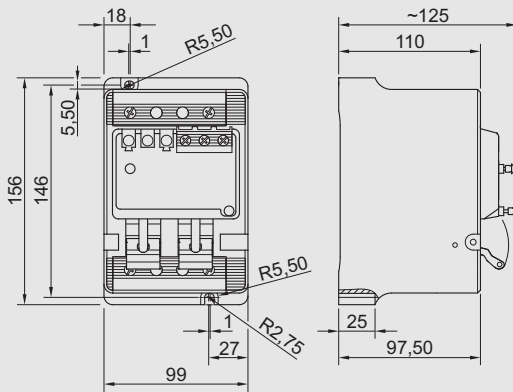
12466E00

8562/54-..., 2-pole



12467E00

8562/54-..., 2-pole



12468E00

8562/54-..., 2-pole with aux. contact and reset function

We reserve the right to make alterations to the technical data, weights, dimensions, designs and products available without notice. The illustrations cannot be considered binding.

