



DIABOX 87

Made of hot-pressed glassfibre reinforced polyester
 Continuous double seal (a mechanical one in the form of a tongue and groove and another in the form of an inserted EPDM seal)

Two-part construction, split diagonally, lower part for installation of equipment, upper part as lid.

Stackable design for space saving storage and transport
 Approved by „Lloyds of Germany“

Hardly inflammable and self-extinguishing

- Colour: similar light grey, RAL7032
- UV-resistant
- Protection class IP 65
- Weight approx 8 kg

Dimensions(approx.) H x W x D
 Mounting "vertical" 490 x 460 x 390mm
 Mounting "horizontal" 390 x 460 x 490mm

Heat transition coefficient K	without window	with window
without Insulation	5,4 W/K	5,8 W/K
arctic.....	0,9 W/K	1,3 W/K

Accessories (see catalogue and price lists)

Standard

- SV4** 4 clasps in stainless steel

Optional designs

- SE2** 2 hinges and 2 clasps in stainless steel
- DF1** 1 lid propstay in galvanized steel, fitted
- DFVA1** 1 lid propstay in stainless steel, fitted
- DFGF1** 1 lid propstay, gas compression spring
- FAV** acrylic glass window, 290 x 290 mm for mounting "vertical"
- FAH** acrylic glass window, 210 x 290 mm for mounting "horizontal"
- FSV** safety glass window, 290 x 290 mm for mounting "vertical"
- FSH** safety glass window, 210 x 290 mm for mounting "horizontal"

arctic Insulation

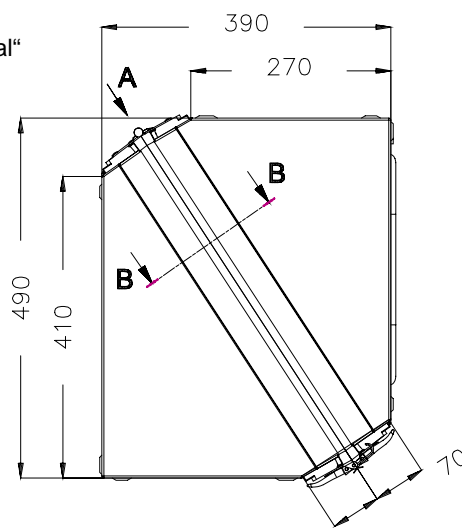
PU-foam, not stackable

- arctic-PP** Polypropylen-lining
- arctic-Alu** Alu-foil lining
- GO** antistatic to avoid electrostatic charges according to EN IEC 60079-0
- EEx p** preparation for pressurised acc. to EN 50016, PTB No. Ex-84/1118X

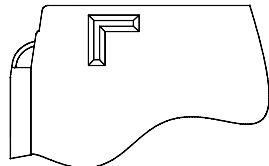
increased Protection class

- IP66/ 67**
- IP68**

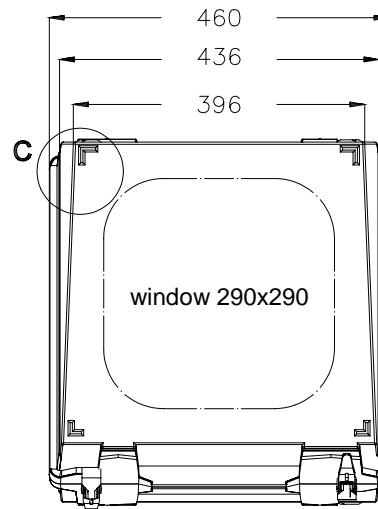
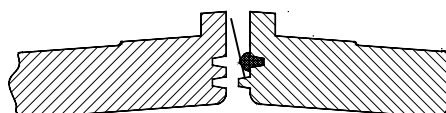
View:
Mounting „vertical“



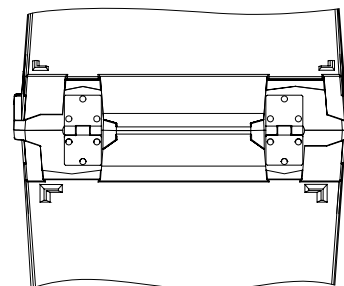
Detail C: Stacking Ledges 10



Detail B-B: Sealing Strip EPDM



View A



Outside Dimensions of the Enclosure - 6mm =
 Inside Dimensions of the Enclosure