

# GUBOX Series 8265

EXPLOSION PROOF & DUST IGNITION PROOF THREADED ENCLOSURES

ENCLOSURES

STAHL

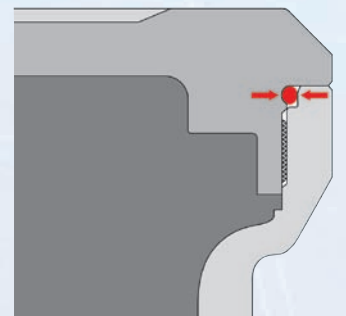
## 8265 Series of Enclosures

### Features:

- Flexible modular design, available in three enclosure sizes.
- Available with or without glass windows.
- Mounting lugs are integrated.
- Made of Copper Free Aluminum (Marine Grade).
- Easy access to enclosure interior.
- Global Certifications.
- Compact square enclosures with threaded covers.



- Cover Gasket is standard on every assembly.



STAHL

INNOVATIVE EXPLOSION PROTECTION by R. STAHL 1-800-782-4357

I

**Explosion Proof & Dust Ignition Proof Enclosures . . . . . I-I12**

GUBox 8265 Explosion Proof & Dust Ignition Proof Enclosures with Threaded Cover . . . . . I1-I14  
CUBex 8264 Explosion Proof & Dust Ignition Proof Enclosures . . . . . I6-I12

*Our products are updated to the newest standard developments and technologies which makes it necessary to reserve the right to product changes without notice.*



EXPLOSION PROOF & DUST IGNITION PROOF THREADED ENCLOSURES



### CLASSIFICATIONS

NEC & CEC:

Gas Explosion Protection

Class I, Division 1, Groups A,B,C, & D  
Class I, Zone 1, Groups IIC, IIB & IIA

Dust Explosion Protection

Class II, Division 1, Groups E,F, & G  
Class III

Environmental Protection

Type 3, 4, 4X, 7 & 9



FILE No. E307783

Ingress Protection IP66:

For ATEX and IEC certification please contact factory.

### APPLICATIONS

The Series 8265 of threaded enclosures are for use in hazardous (classified) locations as specified above under CLASSIFICATIONS. They are designed to contain ordinary location electrical components for Instrumentation and Motor Control. The three sizes are available with or without windows, and come either with customized, factory drilled and tapped entry openings, or they also can be field modified. (see Field Drilling/Tapping Information on Page I2).



### Ordering Information

Catalog Number	External Dimensions L x W x D	Descriptions
8265/62-0000	6.10" x 6.10" x 5.20"; (155 x 155 x 132 mm)	Empty enclosure w/o window
8265/62-0010	6.10" x 6.10" x 5.20"; (155 x 155 x 132 mm)	Empty enclosure with window
8265/63-0000	7.68" x 7.68" x 6.77"; (195 x 195 x 172 mm)	Empty enclosure w/o window
8265/63-0010	7.68" x 7.68" x 6.77"; (195 x 195 x 172 mm)	Empty enclosure with window
8265/64-0000	9.29" x 9.29" x 8.94"; (236 x 236 x 227 mm)	Empty enclosure w/o window
8265/64-0010	9.29" x 9.29" x 8.94"; (236 x 236 x 227 mm)	Empty enclosure with window

### Technical Data

DESCRIPTION	
AMBIENT TEMPERATURE	For Groups A, B, C & D } and for IIC, IIB & IIA } +50°C (+122°F) max. -25°C (-13°F) min.
	For Groups C & D } and for IIB & IIA } +50°C (+122°F) max. -50°C (-58°F) min. (8265/62 - 0000 only)
	For Groups E, F, & G } +40°C (+104°F) max. -25°C (-13°F) min.
MAX. INTERRUPTING CAPACITY OF INSTALLED COMPONENTS	10 kA RMS Symmetrical Amperes
EXTERNAL AUXILIARY DEVICES (i.e. Push Buttons or Pilot Lights)	Listed for Hazardous Locations USL (NOIV) & CNL (NOIV7)
WINDOW MATERIAL	Borosilicate Glass
ENCLOSURE MATERIAL	Copper Free Aluminum (Marine Grade)

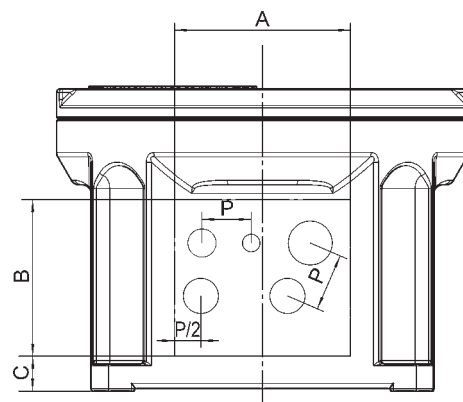
EXPLOSION PROOF & DUST IGNITION PROOF THREADED ENCLOSURES

### 8265 Maximum Number of Entry Openings Per Side

Entry Size	Enclosure 8265/62	Enclosure 8265/63	Enclosure 8265/64
1/2" NPT	4	9	18
3/4" NPT	3	6	16
3/4"-14 NPSM	3	6	16
1" NPT	2	5	9
1-1/4" NPT	2	3	6
1-1/2" NPT	1	2	4
2" NPT	-	1	3
M20 x 1.5	3	8	16
M25 x 1.5	2	4	9
M32 x 1.5	2	3	6
M40 x 1.5	1	2	4
M50 x 1.5	-	1	3
M63 x 1.5	-	1	1
M75 x 1.5	-	1	1

### Area for Conduit/Gland Openings

Enclosure Body	Area for Conduit/Gland Openings		
	Length (A) inches (mm)	Width (B) inches (mm)	Height over mounting surface (C) inches (mm)
8265/62	3.94 (100)	1.89 (48)	0.95 (24)
8265/63	3.94 (100)	3.50 (89)	0.95 (24)
8265/64	5.51 (140)	5.35 (136)	1.02 (26)



### Required Center-To-Center Spacing For Entry Openings



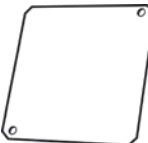
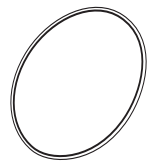


Minimum Distance "P" in inches (mm) between entries of different sizes							
Metric or NPT	M20 x 1.5 1/2"	M25 x 1.5 3/4" *	M32 x 1.5 1"	M40 x 1.5 1-1/4"	M50 x 1.5 1-1/2"	M63 x 1.5 2"	M75 x 1.5 —
M20 x 1.5 1/2"	1.18 (30)	—	—	—	—	—	—
M25 x 1.5 3/4"	1.38 (35)	1.57 (39.9)	—	—	—	—	—
M32 x 1.5 1"	1.49 (37.8)	1.68 (42.7)	1.79 (45.5)	—	—	—	—
M40 x 1.5 1-1/4"	1.68 (42.7)	1.88 (47.7)	1.99 (50.5)	2.18 (55.4)	—	—	—
M50 x 1.5 1-1/2"	1.79 (45.5)	1.99 (50.5)	2.10 (53.3)	2.29 (58.2)	3.35 (85) **	—	—
M63 x 1.5 2"	2.12 (53.8)	2.31 (58.8)	2.43 (61.6)	2.62 (66.5)	2.73 (69.3)	3.06 (77.6)	—
M75 x 1.5 —	3.38 (60.5)	2.58 (65.5)	2.69 (68.3)	2.88 (73.2)	2.99 (76)	3.32 (84.3)	3.58 (91)

\* Also 3/4" -14 NPSM

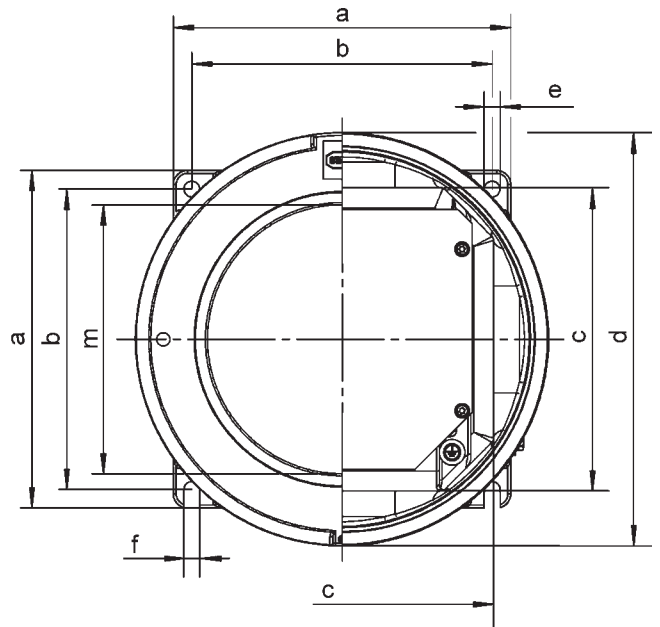
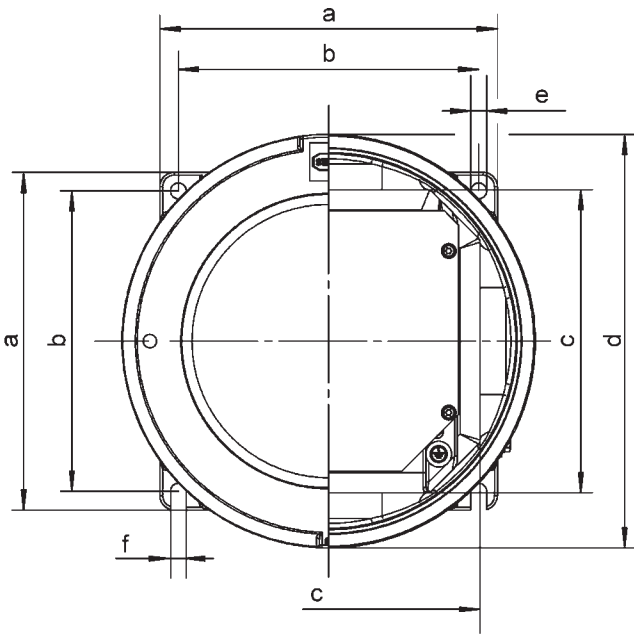
\*\* P/2 Not Required



Use only the following original spare parts and accessories, any others would invalidate the certification and warranty.

Item	Image	Description	Catalog Number
Threaded Cover w/o Window		for enclosure: 8265/62-0000	826590050023
		8265/63-0000	826590050033
		8265/64-0000	826590050043
Threaded Cover with Window		for enclosure: 8265/62-0010 viewable diameter 3.86" (98 mm)	826500050120
		8265/63-0010 5.35" (136 mm)	826500050130
		8265/64-0010 7.40" (188 mm)	826500050140
Mounting Plate		for enclosure 8265/62	826590550020
		for enclosure 8265/63	826590550030
		for enclosure 8265/64	826590550040
O-Ring		for enclosure 8265/62 for enclosure 8265/63 for enclosure 8265/64	5156550 5156560 5156570
DIN Rails for line-up Terminals		TS15 for enclosure 8265/62	826590980010
		TS35 for enclosure 8265/62	826590980020
		TS15 for enclosure 8265/63	8146942980
		TS35 for enclosure 8265/63	8146954980
		G32 for enclosure 8265/63	8146949980
		TS15 for enclosure 8265/64	8146943980
		TS35 for enclosure 8265/64 G32 for enclosure 8265/64	8146955980 8146950980
Set Screw		M5 x 16-A2 - Allen screw with point to secure the cover	5036760
Handles (Pair)		to turn the enclosure cover	8225001160

THREADED ENCLOSURE DIMENSIONS



Enclosure 8265/6.-0000,  
without window

Usable Internal Dimensions: c x c x i

Enclosure 8265/6.-0010,  
with window

Usable Internal Dimensions: c x c x n

Dimensions in inches (mm)														
Type	a	b	c	d	e	f	g	h	i	j	k	l	m	n
<b>8265/62</b>	6.10 (155)	5.51 (140)	5.16 (131)	7.56 (192)	0.28 (7)	0.28 (7)	5.20 (132)	3.05 (77.5)	3.25 (82.5)	0.51 (13)	0.51 (13)	0.45 (11.5)	4.13 (105)	3.25 (82.5)
<b>8265/63</b>	7.68 (195)	6.77 (172)	6.73 (171)	9.21 (234)	0.35 (9)	0.35 (9)	6.77 (172)	4.62 (117.5)	5.24 (133)	0.51 (13)	0.51 (13)	0.61 (15.5)	5.55 (141)	4.82 (122.5)
<b>8265/64</b>	9.29 (236)	8.27 (210)	8.35 (212)	11.38 (289)	0.43 (11)	0.43 (11)	8.94 (227)	6.63 (168.5)	7.26 (184.5)	0.51 (13)	0.51 (13)	0.61 (15.5)	7.40 (188)	6.83 (173.5)





### 8264 Series of Enclosures Made of Aluminum or Stainless Steel

#### Features:

- *Copper Free Aluminum – High strength, light weight and corrosion resistant.*
- *Stainless Steel – Best material solution for challenging environmental conditions.*
- *Gasketed Flange – “O” ring gasket is located inside the cover bolts.*
- *Flat Cover – Provides space for operator installation.*
- *Rectangular or Round Windows – Can be factory installed to enable viewing of digital read out meters and other devices.*
- *Conduit Openings – Enclosures are designed with a wall thickness suitable for drilling and tapping of conduit openings up to 2" max.*
- *Stainless Steel Hinges – All enclosures are provided with factory installed hinges which allow easy access for inspection, maintenance and system changes.*
- *Mounting Rails – Standard.*
- *Internal Mounting Plate Bosses – They are factory machined to enable field installation of the optional mounting plates.*
- *Optional Finish – Powder Coating.*

EXPLOSION PROOF & DUST IGNITION PROOF ENCLOSURES



### CLASSIFICATIONS

**NEC & CEC:**  
**Gas Explosion Protection**  
 Class I, Division 1, Groups B, C & D  
 Class I, Zone 1, Groups IIA, IIB & IIB+H<sub>2</sub>

**Dust Explosion Protection**  
 Class II, Division 1 Groups E, F & G  
 Class III

**Environmental Protection**  
 Type 3, 4, 4X, 7 & 9



For ATEX and IEC certification please contact factory.

**Enclosure Materials**  
 8264/6\*\*\*-3 Copper Free Aluminum (Marine Grade)  
 8264/6\*\*\*-2 Stainless Steel 316L

**Ambient Temperature**  
 +50°C (122°F) max.  
 -25°C (-13°F) min.

### APPLICATIONS

The Series 8264 are Explosion Proof and Dust Ignition Proof enclosures made of Copper Free Aluminum or Stainless Steel 316L. They are suitable for use in hazardous (classified) locations as specified above.

They are designed to contain ordinary location electrical components for Instrumentation, Motor Control and Distribution. There are eight sizes of enclosures and they all come with Stainless Steel cover hinges and mounting rails as standard. Mounting Plates are optional and need to be ordered separately.

They can be customized with drilled and tapped entry openings as well as round and rectangular windows and operators.

Entry and operator openings can be field modified. For details regarding Aluminum Enclosures see pages I9 and I10. For Stainless Steel Enclosures see pages I11 and I12.



### Ordering Information

Empty Aluminum Enclosures with Stainless Steel cover hinges and mounting rails.

Catalog Number	External Dimensions L x W x D
8264/6114-3	9.25" x 9.25" x 10.24"; (235 x 235 x 260 mm)
8264/6214-3	14.17" x 9.25" x 10.24"; (360 x 235 x 260 mm)
8264/6224-3	14.17" x 14.17" x 10.24"; (360 x 360 x 260 mm)
8264/6225-3	14.17" x 14.17" x 12.99"; (360 x 360 x 330 mm)
8264/6325-3	18.90" x 14.17" x 12.99"; (480 x 360 x 330 mm)
8264/6335-3	18.90" x 18.90" x 12.99"; (480 x 480 x 330 mm)
8264/6935-3	28.74" x 18.90" x 12.99"; (730 x 480 x 330 mm)
8264/6995-3	28.74" x 28.74" x 12.99"; (730 x 730 x 330 mm)

### Ordering Information

Empty Stainless Steel Enclosures with Stainless Steel cover hinges and mounting rails.

Catalog Number	External Dimensions L x W x D
8264/6112-2	9.25" x 9.25" x 10.63"; (235 x 235 x 270 mm)
8264/6212-2	14.17" x 9.25" x 10.63"; (360 x 235 x 270 mm)
8264/6222-2	14.17" x 14.17" x 10.63"; (360 x 360 x 270 mm)
8264/6223-2	14.17" x 14.17" x 13.39"; (360 x 360 x 340 mm)
8264/6323-2	18.90" x 14.17" x 13.39"; (480 x 360 x 340 mm)
8264/6333-2	18.90" x 18.90" x 13.39"; (480 x 480 x 340 mm)
8264/6933-2	28.74" x 18.90" x 13.39"; (730 x 480 x 340 mm)
8264/6993-2	28.74" x 28.74" x 13.39"; (730 x 730 x 340 mm)

### Mounting Plates

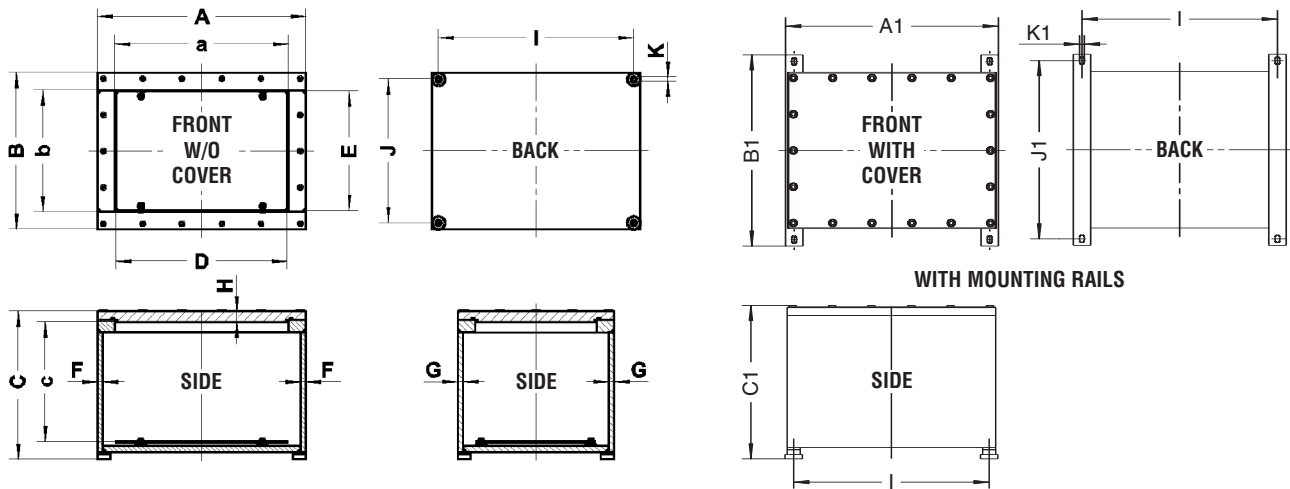
Item	Image	Description	Catalog Number
Optional Mounting Plates for Aluminum or Stainless Steel Enclosures		enclosure sizes:	8264/611••
			8264/621••
			8264/622••
			8264/632••
			8264/633••
			8264/693••
			8264/699••
Fixing Screw Kit			82 648 01 90 6

### Technical Data

DESCRIPTION	
<b>MAX. INTERRUPTING CAPACITY OF INSTALLED COMPONENTS</b>	10 kA RMS Symmetrical Amperes
<b>EXTERNAL AUXILIARY DEVICES (i.e. Push Buttons or Pilot Lights)</b>	Listed for Hazardous Locations USL (NOIV) & CNL (NOIV7)
<b>WINDOW MATERIAL</b>	Borosilicate Glass
<b>ENCLOSURE MATERIAL</b>	Copper Free Aluminum (Marine Grade) or Stainless Steel 316L



## ENCLOSURE DIMENSIONS



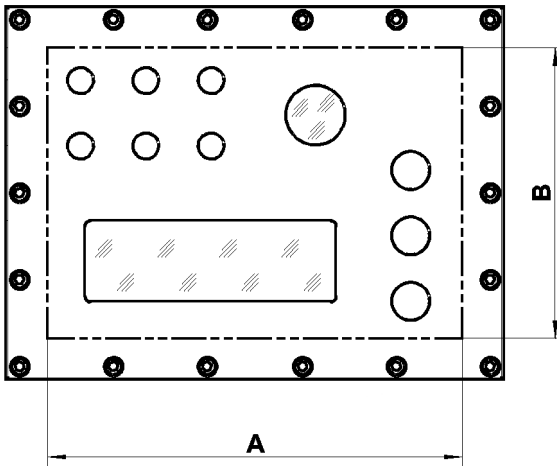
8264/6...-3 Aluminum Enclosure Dimensions in inches (mm)																			
Enclosure Type	External						Mounting Plate		Internal						Mounting				
	A	A1	B	B1	C	C1	D	E	a	b	c*	F	G	H	I	J	J1	K	K1
8264/6114-3	9.25 (235)	11.22 (285)	9.25 (235)	13.86 (352)	10.24 (260)	10.71 (272)	5.98 (152)	5.98 (152)	6.18 (157)	6.18 (157)	7.95 (202)	0.47 (12)	0.47 (12)	0.98 (25)	8.07 (205)	8.07 (205)	11.89 (302)	Standard Thread Size – M12 – 0.98 (25) deep (for optional thread sizes, please contact factory)	Width of elongated hole = 0.70 (18)
8264/6214-3	14.17 (360)	11.22 (285)	9.25 (235)	13.86 (352)	10.24 (260)	10.71 (272)	10.79 (274)	5.98 (152)	11.02 (282)	6.10 (157)	7.95 (202)	0.47 (12)	0.65 (16.5)	0.98 (25)	12.99 (330)	8.07 (205)	11.89 (302)		
8264/6224-3	14.17 (360)	16.14 (410)	14.17 (360)	18.74 (476)	10.24 (260)	10.71 (272)	10.79 (274)	10.79 (274)	11.02 (282)	11.02 (282)	7.95 (202)	0.65 (16.5)	0.65 (16.5)	0.98 (25)	12.99 (330)	12.99 (330)	16.77 (426)		
8264/6225-3	14.17 (360)	16.14 (410)	14.17 (360)	18.74 (476)	12.99 (330)	13.46 (342)	10.79 (274)	10.79 (274)	11.02 (282)	11.02 (282)	10.83 (272)	0.65 (16.5)	0.65 (16.5)	0.98 (25)	12.99 (330)	12.99 (330)	16.77 (426)		
8264/6325-3	18.90 (480)	16.14 (410)	14.17 (360)	18.74 (476)	12.99 (330)	13.46 (342)	15.51 (394)	10.79 (274)	15.75 (402)	11.02 (282)	10.24 (260)	0.65 (16.5)	0.65 (16.5)	1.01 (25.6)	17.72 (450)	12.99 (330)	16.77 (426)		
8264/6335-3	18.90 (480)	21.26 (540)	18.90 (480)	23.23 (590)	12.99 (330)	13.46 (342)	15.51 (394)	15.51 (394)	15.83 (402)	15.83 (402)	10.16 (258)	0.65 (16.5)	0.65 (16.5)	1.00** (25.4)	17.72 (450)	17.72 (450)	21.50 (546)		
8264/6935-3	28.74 (730)	31.10 (790)	18.90 (480)	23.23 (590)	12.99 (330)	13.46 (342)	24.80 (644)	15.51 (394)	25.59 (652)	15.83 (402)	8.66 (242)	0.65 (16.5)	0.85 (21.5)	1.58 (40.3)	27.56 (700)	17.72 (450)	21.50 (546)		
8264/6995-3	28.74 (730)	31.10 (790)	28.74 (730)	33.31 (846)	12.99 (330)	13.46 (342)	24.80 (630)	24.80 (630)	25.20 (640)	25.20 (640)	9.84 (238)	0.85 (21.5)	0.85 (21.5)	1.58 (40.3)	27.56 (700)	27.56 (700)	31.34 (796)		

\* For covers with windows: c = c – 0.88 (20)    \*\* For covers with windows: H = 1.59 (40.3) and c = c – 1.38 (35)

8264/6...-2 Stainless Steel Enclosure Dimensions in inches (mm)																			
Enclosure Type	External						Mounting Plate		Internal						Mounting				
	A	A1	B	B1	C	C1	D	E	a	b	c*	F	G	H	I	J	J1	K	K1
8264/6112-2	9.25 (235)	11.22 (285)	9.25 (235)	13.86 (352)	10.63 (270)	11.10 (282)	5.98 (152)	5.98 (152)	6.10 (155)	6.10 (155)	8.07 (207)	0.47 (12)	0.47 (12)	0.98 (25)	8.07 (205)	8.07 (205)	11.89 (302)	Standard Thread Size – M12 – 0.98 (25) deep (for optional thread sizes, please contact factory)	Width of elongated hole = 0.70 (18)
8264/6212-2	14.17 (360)	11.22 (285)	9.25 (235)	13.86 (352)	10.63 (270)	11.10 (282)	10.79 (274)	5.98 (152)	11.02 (280)	6.10 (155)	8.07 (207)	0.47 (12)	0.47 (12)	0.98 (25)	12.99 (330)	8.07 (205)	11.89 (302)		
8264/6222-2	14.17 (360)	16.14 (410)	14.17 (360)	18.74 (476)	10.63 (270)	11.10 (282)	10.79 (274)	10.79 (274)	11.02 (280)	11.02 (280)	8.07 (204)	0.47 (12)	0.47 (12)	0.98 (25)	12.99 (330)	12.99 (330)	16.77 (426)		
8264/6223-2	14.17 (360)	16.14 (410)	14.17 (360)	18.74 (476)	13.39 (340)	13.86 (352)	10.79 (274)	10.79 (274)	11.02 (280)	11.02 (280)	10.83 (274)	0.47 (12)	0.47 (12)	0.98 (25)	12.99 (330)	12.99 (330)	16.77 (426)		
8264/6323-2	18.90 (480)	16.14 (410)	14.17 (360)	18.74 (476)	13.39 (340)	13.86 (352)	15.51 (394)	10.79 (274)	15.75 (400)	11.02 (280)	10.83 (274)	0.47 (12)	0.47 (12)	0.98 (25)	17.72 (450)	12.99 (330)	16.77 (426)		
8264/6333-2	18.90 (480)	21.26 (540)	18.90 (480)	23.23 (590)	13.39 (340)	14.57 (370)	15.51 (394)	15.51 (394)	15.75 (400)	15.75 (400)	10.63 (269)	0.47 (12)	0.47 (12)	0.99 (25.2)	17.72 (450)	17.72 (450)	21.50 (546)		
8264/6933-2	28.74 (730)	31.10 (790)	18.90 (480)	23.23 (590)	13.39 (340)	14.57 (370)	24.80 (644)	15.51 (394)	25.59 (650)	15.75 (400)	10.83 (273)	0.47 (12)	0.47 (12)	0.98 (25)	27.56 (700)	17.72 (450)	21.50 (546)		
8264/6993-2	28.74 (730)	31.10 (790)	28.74 (730)	33.31 (846)	13.39 (340)	14.57 (370)	24.80 (630)	24.80 (630)	25.59 (650)	25.59 (650)	10.63 (268)	0.47 (12)	0.47 (12)	0.98 (25)	27.56 (700)	27.56 (700)	31.34 (796)		

\* For covers with windows: c = c – 0.88 (20)

**Cover – Aluminum, Area for Operator Installation.**



<b>8264/6...-3 Aluminum Enclosure Cover - Area for Operator Installation in inches (mm)</b>			
Cover for Enclosure Type	Length	Width	Max. Number of Operators
	A	B	3/4"-14 NPSM*
8264/6114-3	5.43 (138)	5.43 (138)	4
8264/6214-3	10.24 (260)	5.43 (138)	8
8264/6224-3	10.24 (260)	10.24 (260)	16
8264/6225-3	10.24 (260)	10.24 (260)	16
8264/6325-3	14.96 (380)	10.24 (260)	24
8264/6335-3	14.96 (380)	14.96 (380)	36
8264/6935-3	24.80 (630)	14.96 (380)	54
8264/6995-3	24.80 (630)	24.80 (630)	81

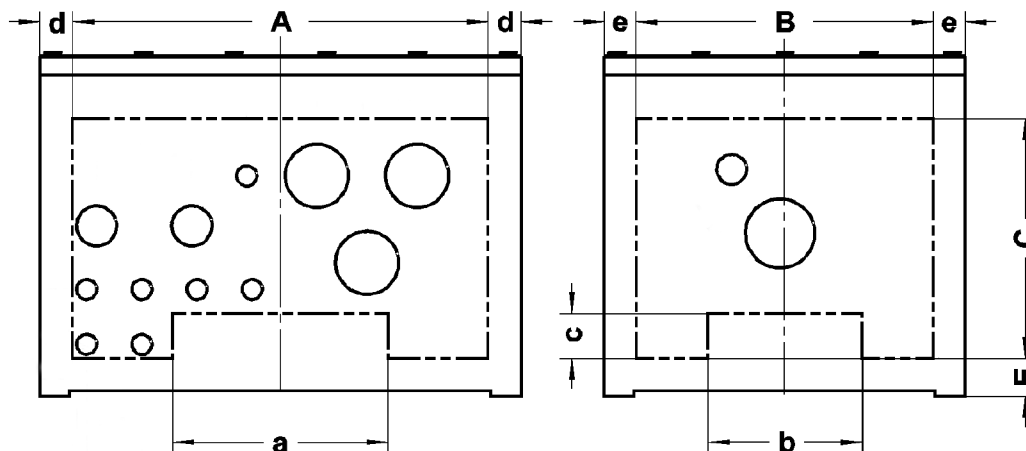
\* Optional metric thread sizes can be used: M16 x 1.5; M20 x 1.5; M25 x 1.5.

<b>8264/6...-3 Aluminum Enclosure Cover - Maximum Number of Windows and Sizes</b>								
Cover for Enclosure Type	Round / Viewing Diameter in inches (mm)				Rectangular / Viewing Area in inches (mm)			
	2.17 (55)	2.56 (65)	3.54 (90)	5.51 (140)	2.28 x 5.59 (58 x 142)	3.86 x 5.59 (98 x 142)	5.63 x 9.21 (143 x 234)	7.87 x 11.81 (200 x 300)
8264/6114-3	1	N/A	N/A	N/A	N/A	N/A	N/A	N/A
8264/6214-3	1	N/A	N/A	N/A	1	N/A	N/A	N/A
8264/6224-3	1	1	1	1	1	1	N/A	N/A
8264/6225-3	1	1	1	1	1	1	N/A	N/A
8264/6325-3	2	2	2	1	2	1	1	1
8264/6335-3	4	4	4	1	2	2	1	1
8264/6935-3	6	4	2	1	1	1	N/A	N/A
8264/6995-3	6	4	2	1	1	1	N/A	N/A

For combinations of operators and windows together, please consult factory.

## EXPLOSION PROOF & DUST IGNITION PROOF ENCLOSURES

### Body – Aluminum, Area for Entry Installation.



8264/6...-3 Aluminum Enclosure Body – Area for Entry Installation in inches (mm)									
Enclosure Type	Width		Height	Height over Mounting	Section of internal reinforcements			Distance to Side Wall	
	A	B	C	E	a	b	c	d	e
8264/6114-3	7.48 (190)	7.48 (190)	6.38 (162)	1.34 (34)	–	–	–	0.89 (22.5)	0.89 (22.5)
8264/6214-3	12.44 (316)	7.17 (182)	6.38 (162)	1.34 (34)	–	–	–	0.87 (22)	1.04 (26.5)
8264/6224-3	11.97 (304)	11.97 (304)	6.38 (162)	1.34 (34)	–	–	–	1.10 (28)	1.10 (28)
8264/6225-3	11.34 (288)	11.34 (288)	9.13 (232)	1.34 (34)	–	–	–	1.42 (36)	1.42 (36)
8264/6325-3	16.14 (410)	11.41 (290)	8.27 (210)	1.77 (45)	9.06 (230)	4.72 (120)	1.97 (50)	1.38 (35)	1.38 (35)
8264/6335-3	16.54 (420)	16.54 (420)	6.46 (164)	3.62 (92)	–	–	–	1.18 (30)	1.18 (30)
8264/6935-3	25.59 (650)	15.4 (390)	5.83 (148)	3.62 (92)	–	–	–	1.57 (40)	1.77 (45)
8264/6995-3	25.59 (650)	25.59 (650)	6.22 (158)	3.23 (82)	6.30 (160)	6.30 (160)	2.44 (62)	1.57 (40)	1.57 (40)

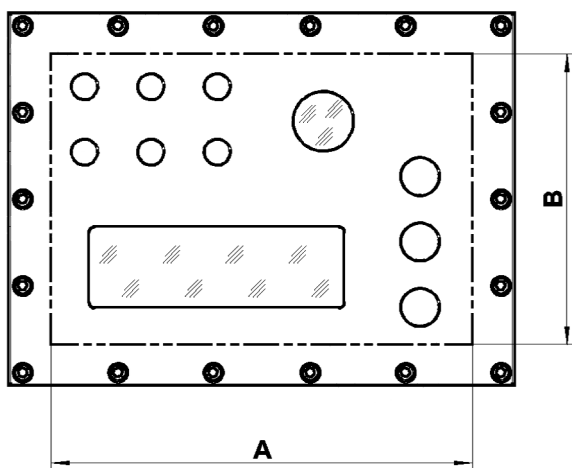
For minimum distance between entries contact factory. For maximum numbers of Entries see table below.

8264/6...-3 Aluminum Enclosure Body - Maximum Number of Entries per Side Wall and in Total for all Sides																
Enclosure Type	Wall Side	Entry Sizes														
		M16 x 1.5		1/2"-NPT or M20 x 1.5		3/4"-NPT* or M25 x 1.5		1"-NPT or M32 x 1.5		1-1/4"-NPT or M40 x 1.5		1-1/2"-NPT or M50 x 1.5		2"-NPT or M63 x 1.5		
		per side	max. total	per side	max. total	per side	max. total	per max.	max. total	per side	max. total	per side	max. total	per side	max. total	
8264/6114-3	all sides	20	80	20	59	14	37	9	24	6	15	4	10	2	6	
8264/6214-3	short side	18	102	18	73	14	45	9	29	6	18	4	13	2	8	
	long side	33		33		22		15		8		6		4		
8264/6224-3	all sides	33	132	33	87	22	54	15	35	8	21	6	15	4	9	
8264/6225-3	all sides	42	152	42	87	25	54	14	35	9	21	5	15	3	9	
8264/6325-3	short side	32	152	32	96	19	60	10	38	6	24	5	17	3	10	
	long side	44		44		25		14		8		6		4		
8264/6335-3	all sides	40	138	40	79	24	49	12	31	8	19	5	14	3	8	
8264/6935-3	short side	36	192	36	119	21	74	10	47	8	30	4	21	3	13	
	long side	60		60		36		18		14		7		5		
8264/6995-3	all sides	54	216	54	159	32	99	15	60	13	40	7	28	5	17	

For combinations of operators and windows together, please consult factory.

\* Optional thread size 3/4" - 14 NPSM permitted.

**Cover – Stainless Steel, Area for Operator Installation.**



<b>8264/6...-2 Stainless Steel Enclosure Cover - Area for Operator Installation in inches (mm)</b>			
Cover for Enclosure Type	Length	Width	Max. Number of Operators 3/4"-14 NPSM*
	A	B	
8264/6112-2	5.43 (138)	5.43 (138)	4
8264/6212-2	10.24 (260)	5.43 (138)	8
8264/6222-2	10.24 (260)	10.24 (260)	16
8264/6223-2	10.24 (260)	10.24 (260)	16
8264/6323-2	14.96 (380)	10.24 (260)	24
8264/6333-2	14.96 (380)	14.96 (380)	36
8264/6933-2	24.80 (630)	14.96 (380)	54
8264/6993-2	24.80 (630)	24.80 (630)	81

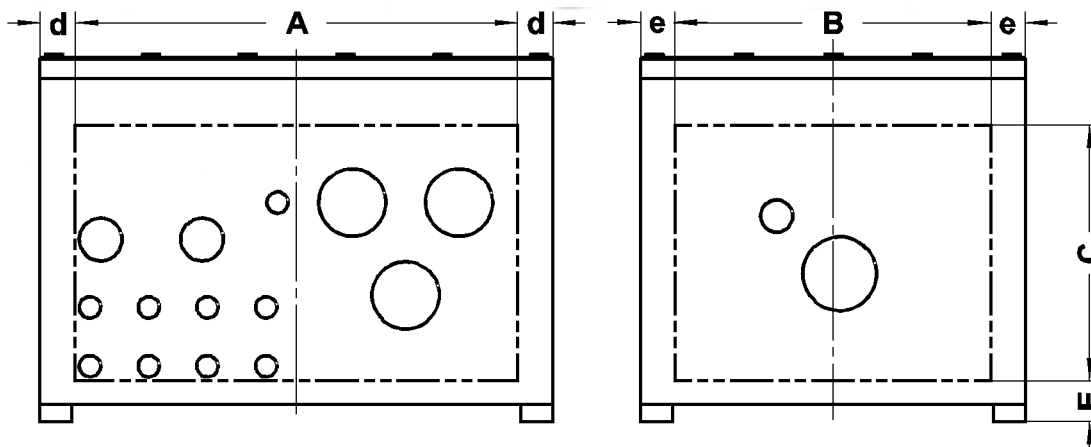
\* Optional metric thread sizes can be used: M16 x 1.5; M20 x 1.5; M25 x 1.5

<b>8264/6...-2 Stainless Steel Enclosure Cover - Maximum Number of Windows and Sizes</b>									
Cover for Enclosure Type	Round / Viewing Diameter in inches (mm)				Rectangular / Viewing Area in inches (mm)				
	2.17 (55)	2.56 (65)	3.54 (90)	5.51 (140)	2.28 x 5.59 (58 x 142)	3.86 x 5.59 (98 x 142)	5.63 x 9.21 (143 x 234)	7.87 x 11.81 (200 x 300)	9.21 x 12.52 (234 x 318)
8264/6112-2	1	N/A	N/A	N/A	N/A	N/A	N/A	N/A	N/A
8264/6212-2	1	N/A	N/A	N/A	1	N/A	N/A	N/A	N/A
8264/6222-2	1	1	1	1	1	1	N/A	N/A	N/A
8264/6223-2	1	1	1	1	1	1	N/A	N/A	N/A
8264/6323-2	2	2	2	1	2	1	1	1	N/A
8264/6333-2	4	4	4	1	2	2	1	1	N/A
8264/6933-2	6	4	2	1	1	1	1	1	1
8264/6993-2*	6	4	2	1	1	1	1	1	1

For combinations of operators and windows together, please consult factory.

## EXPLOSION PROOF & DUST IGNITION PROOF ENCLOSURES

### Body – Stainless Steel, Area for Entry Installation.



8264/6...-2 Stainless Steel Enclosure Body – Area for Entry Installation in inches (mm)						
Enclosure Type	Width		Height	Height over Mounting	Distance to Side Wall	
	A	B	C	E	d	e
8264/6112-2	7.09 (180)	7.09 (180)	6.61 (168)	1.65 (42)	1.08 (27.5)	1.08 (27.5)
8264/6212-2	12.05 (306)	7.09 (180)	6.61 (168)	1.65 (42)	1.06 (27)	1.08 (27.5)
8264/6222-2	12.05 (306)	12.05 (306)	6.50 (165)	1.77 (45)	1.06 (27)	1.06 (27)
8264/6223-2	12.05 (306)	12.05 (306)	9.25 (235)	1.77 (45)	1.06 (27)	1.06 (27)
8264/6323-2	17.32 (440)	12.05 (306)	9.25 (235)	1.77 (45)	0.79 (20)	1.06 (27)
8264/6333-2	16.77 (426)	16.77 (426)	9.06 (230)	1.97 (50)	1.06 (27)	1.06 (27)
8264/6933-2	27.17 (690)	16.77 (426)	9.25 (235)	1.77 (45)	0.79 (20)	1.06 (27)
8264/6993-2	26.61 (676)	26.61 (676)	9.06 (230)	1.97 (50)	1.06 (27)	1.06 (27)

For minimum distance between entries contact factory. For maximum numbers of Entries see table below.

### 8264/6...-2 Stainless Steel Enclosure Body - Maximum Number of Entries per Side Wall and in Total for all Sides

Enclosure Type	Wall Side	Entry Size													
		M16 x 1.5		1/2"-NPT or M20 x 1.5		3/4"-NPT* or M25 x 1.5		1"-NPT or M32 x 1.5		1-1/4"-NPT or M40 x 1.5		1-1/2"-NPT or M50 x 1.5		2"-NPT or M63 x 1.5	
		per side	max. total	per side	max. total	per side	max. total	per max.	max. total	per side	max. total	per side	max. total	per side	max. total
8264/6112-2	all sides	20	80	20	59	12	37	9	24	5	15	4	10	2	6
8264/6212-2	short side	20	110	20	77	12	48	9	31	5	19	4	13	2	8
	long side	35		35		22		15		8		6		4	
8264/6222-2	all sides	35	140	35	95	22	59	15	38	8	24	6	17	4	10
8264/6223-2	all sides	42	168	42	142	28	89	16	57	8	32	6	24	4	15
8264/6323-2	short side	42	204	42	185	28	115	16	74	8	44	6	28	4	20
	long side	60		60		38		22		14		8		6	
8264/6333-2	all sides	60	240	60	221	38	138	22	88	12	48	8	32	5	20
8264/6933-2	short side	60	312	60	293	38	183	22	116	12	66	8	40	6	28
	long side	96		96		60		36		21		12		8	
8264/6993-2	all sides	96	384	96	359	60	224	36	144	21	84	12	48	8	32

For combinations of operators and windows together, please consult factory.

\* Optional thread size 3/4" - 14 NPSM permitted.