



Control and switchgear units with metal flameproof EN enclosures

Description

These BARTEC enclosures offer a variety of options for control equipment in Ex areas. Flameproof enclosures in compliance standard with EN are available for electrical devices such as contactors, relays, barriers, electronic controllers and PLC-D/A-modules.

BARTEC flameproof cable bushings are provided for cable interconnections between the EEx d & EEx e enclosures. Inside the EEx e enclosure the conductors are connected to Ex e terminal blocks. The pushbuttons, switches and LEDs are located on the cover of the EEx e enclosure.

Explosion protection

Ex protection type

Ex II 2G EEx de ia/ib [ia/ib] IIA, IIB, IIC
T6...T4

Certification

PTB 03 ATEX 1024

Ambient temperature

-20 °C to +40 °C

Technical data

Protection class according to IEC 60529

IP 54

Nominal voltage

up to 750 V

Nominal current

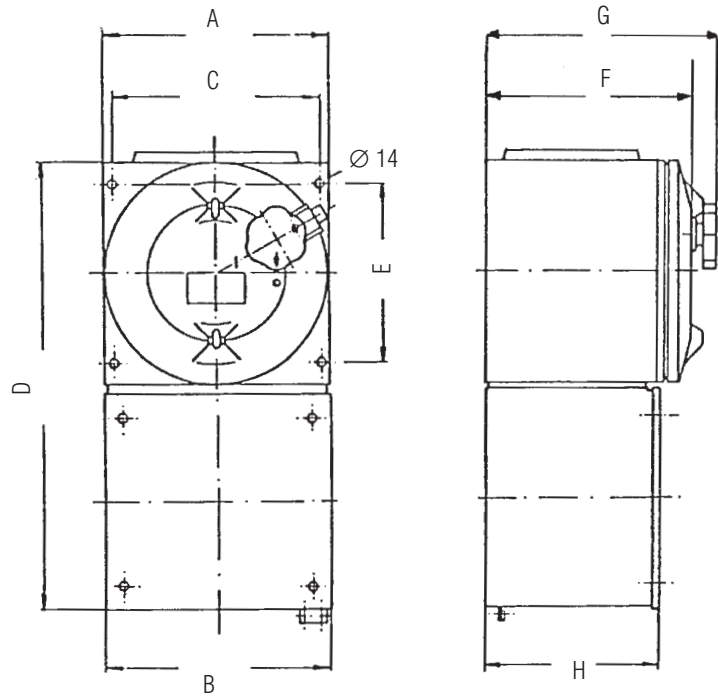
max. 400 A

Colour

light grey, RAL 7032



Dimensions



Selection chart (Dimensions in mm)

A	B	C	D	E	F	G	H	➔ Order no.
210	215	187	450	145	175	203	126	07-4310-04.1
210	215	187	450	145	175	-	126	07-4310-05.1
320	325	295	634	255	175	203	126	07-4320-04.1
320	325	295	634	255	175	-	126	07-4320-05.1
320	325	295	634	255	300	329	252	07-4340-04.1
320	325	295	634	255	300	-	252	07-4340-05.1
430	435	405	744	365	300	329	252	07-4350-04.1
430	435	405	744	365	300	-	252	07-4350-05.1
430	435	405	964	365	300	329	252	07-4370-04.1
430	435	405	964	365	300	-	252	07-4370-05.1
650	655	600	1050	505	480	510	252	07-4380-04.1
650	655	600	1050	505	480	-	252	07-4380-05.1