



Control stations in flameproof enclosures

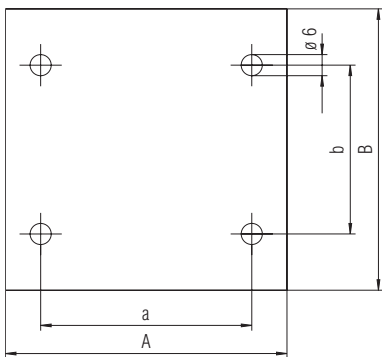
for Zone 1 + 2 and for Zone 21 + 22

BARTEC



Control stations in flameproof enclosures

Dimensions Mounting plate



Description

The control stations in flameproof enclosure of the GUB series in compact design allow standard electronics and control components to be installed. The enclosure is light; numerous connection systems can be used; flanging is possible; can be equipped with electrical or mechanical bushings at the edges.

The GUB control stations can be applied in hazardous areas, Zone 1 and Zone 2 as well as in areas endangered by flammable dusts, Zone 21 and Zone 22.

Explosion protection

Ex protection type

II 2GD EEx d IIC T6 or T5
IP 66 T 85 °C or T 100 °C

Certification

ATEX submitted

Technical data

Protection class

max. IP 66

Enclosure material

copper-free aluminium pressure casting

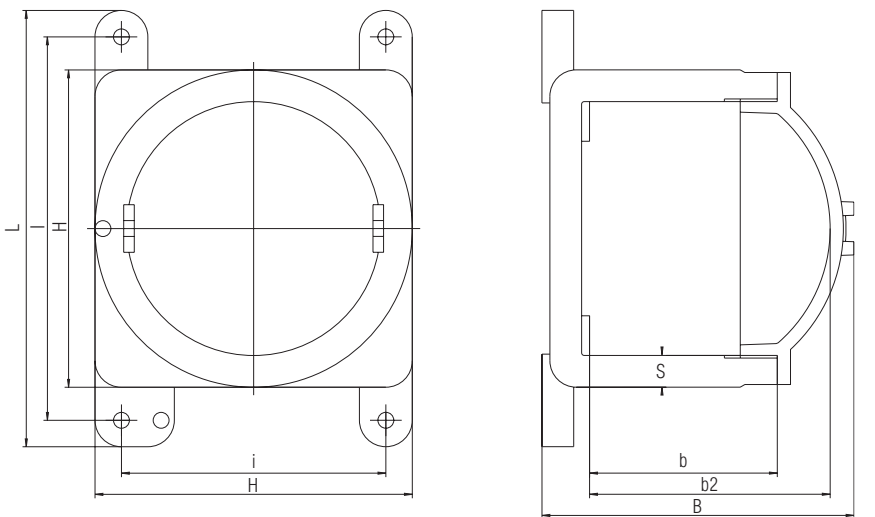
Surface

standard, unlacquered
Internal and external lacquering possible in
RAL colours

Electrical connection

Via cable entry or via cable gland

Dimensions





Control stations in flameproof enclosures

for Zone 1 + 2 and for Zone 21 + 22

BARTEC

Enclosure										
Type	Order no.	Dimensions (mm)								Weight (kg)
		B	b	b2	H	I	i	L	S	
GUB	07-4120	116	81	91	120	145	100	165	12	1.6
GUB 0	07-4140	130	89	98	150	174	126	198	12	2.6
GUB 01	07-4150	139	99	108	174	195	150	218	12	3.6
GUB 02	07-4160	165	113	130	230	267	196	302	12	6.4
GUB 03	07-4170	217	158	181	276	316	236	256	12	11.4
GUB 04	07-4180	290	185	215	430	480	390	520	16	29.4

Mounting plate					
	Enclosure	A	B	a	b
GUB	07-4120	80	80	60	48
GUB 0	07-4140	100	100	80	60
GUB 01	07-4150	115	115	90	90
GUB 02	07-4160	150	150	130	130
GUB 03	07-4170	170	170	158	158
GUB 04	07-4180	270	270	230	230

Selection chart			
Enclosure size	Code no.	Cover variants	Code no.
120 x 120 GUB	2	closed	1
150 x 150 GUB 0	4		
174 x 174 GUB 01	5		
230 x 230 GUB 02	6	with window only for GUB 0, GUB 01, GUB 02, GUB 03	7
276 x 276 GUB 03	7		
430 x 430 GUB 04	8		

➔ **Complete order no.** 07-41 0-1 61

Please enter code number. Technical date subject to change without notice.