



Flashing lamp

Features

- 15 joule flash energy
- Long life of the flash tube
- Maintenance-free, since there are no wearing parts
- Compact design
- Very sturdy
- Low weight
- Low power demand thanks to its high efficiency

Description

Plant and machinery are fitted with visual alarms to give timely warning of dangerous situations and to enable machinery to be shut down before damage occurs.

BARTEC flashing lights for hazardous areas have a flash energy of 15 joule. The flash intensity whether viewed directly or indirectly is an ideal means of attracting attention.

BARTEC flashing lamps

- inform
 - warn
 - give alarm
- in industry, plant and machinery and off-shore installations.

Explosion protection

Ex protection type

II 2G EEx d IIC T6 or EEx d IIB T6
or EEx de IIC T6

Certification

PTB 02 ATEX 1001

Technical data

Protection class

IP 65/IEC 60529
mounting position: upright,
cover on top

Enclosure material

Enclosure: weatherproof
aluminium
Cover: Makrolon
(polycarbonate)

Colour

Enclosure: yellow
(similar to RAL 1018)
Base: black
(similar to RAL 9004)

EEx de connection

connection terminals max. 1.5 mm²
1 EEx e gland Pg 13.5/M20
1 EEx e blanking plug Pg 13.5/M20

EEx d connection

with 3 m supply cable
l = 3 m

EEx d connection

with EEx d cable gland
M 20 x 1.5

External earth connection

max. 4 mm²

Weight

EEx de version 2.2 kg
EEx d version 1.9 kg

Ambient temperature

-20 °C to +40 °C 10/15 joule

Storage temperature

-40 °C to +70 °C

Relative humidity

90 %

Luminous data

Alarm area

Ø 7.5 m

Warning area

Ø 30 m

Flash energy

15 joule

Flash frequency

1 Hz

Service life of light tube

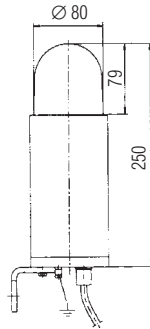
70 % light emission
after 8 million flashes

Continuance operation

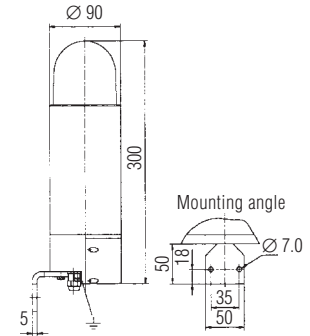
100 %



Dimensions with EEx d connection



with EEx de terminals



| Nominal voltage | | Electrical data | |
|-----------------|-------------|-------------------------|----------------|
| AC 240 V | 50 to 60 Hz | Operating voltage range | 216 V to 264 V |
| | | Rated current input | 0.22 A |
| | | Nominal power | 58 VA |
| AC 230 V | 50 to 60 Hz | Operating voltage range | 207 V to 253 V |
| | | Rated current input | 0.24 A |
| | | Nominal power | 61 VA |
| AC 110 V | 50 to 60 Hz | Operating voltage range | 99 V to 121 V |
| | | Rated current input | 0.40 A |
| | | Nominal power | 48 VA |
| AC 42 V | 50 to 60 Hz | Operating voltage range | 38 V to 46 V |
| | | Rated current input | 0.40 A |
| | | Nominal power | 23 VA |
| DC 60 V | | Operating voltage range | 50 V to 72 V |
| | | Rated current input | 0.35 A |
| | | Nominal power | 23 VA |
| DC 48 V | | Operating voltage range | 40 V to 60 V |
| | | Rated current input | 0.40 A |
| | | Nominal power | 22 VA |
| DC 24 V | | Operating voltage range | 18 V to 30 V |
| | | Rated current input | 0.75 A |
| | | Nominal power | 20 VA |

Selection chart

| Type | Code no. | Nominal voltage | Code no. | Cover colour | Code no. |
|------------------|----------|-----------------|----------|---------------|----------|
| EEx de | 3 | AC 240 V | 0 | yellow-orange | 3 |
| | | AC 230 V | 1 | red | 4 |
| | | AC 110 V | 2 | white | 2 |
| EEx d/LE | 1 | AC 42 V | 3 | green | 5 |
| | | DC 60 V | 6 | blue | 6 |
| EEx d/KVS | 2 | DC 48 V | 7 | clear | 1 |
| | | DC 24 V | 8 | | |

➔ **Complete order no.**

07-4834-

Please enter code number.