



05369E00


Foot Switches Series EEx GFI and EEx GFSI

- Max. 2 contacts per pedal
- Metal enclosure
- 1 pedal
- With or without protective shield
- Ergonomic pedal shape
- Wide opening in shield
- Pre-wired cable 3 m long
- Available with special finish in RAL colour tones

STAHL

Application: Ex foot switches are mounted on machines and plants in cases where operation manual operation is not possible.
Design and mode of operation: all the EEx GFS range switches are mounted with a shield to prevent unintentional actuation and to protect against falling objects.

Zones 1 & 2, 21 & 22

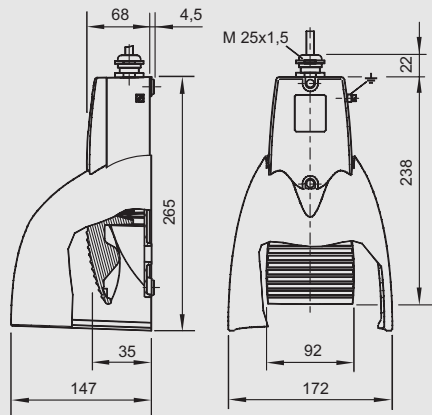
Selection Table				
Version				Ordering code
Foot switches acc. to specification				4646790
Add. to Ordering Code				
Version	Switching system	Contacts	Protective shield	Ordering code
 <p>04986E00 Foot switches, single-pedal Series EEx GFI and EEx GFSI</p>	slow action	1 NO 1 NC	without protective shield	EEx GFI 1Ö/1S
			with protective shield	EEx GFSI 1Ö/1S
Note	Other contact configurations available on enquiry (max. 2 contacts per pedal)			

Technical Data	
Explosion protection	Ⓢ II 2 G EEx d IIC T6 II 2 D IP65 T80 °C
Certificates	PTB 03 ATEX 1070 X* * referring to the switch insert
Switch element	EEx 14
Material	
Housing	Aluminium die-cast, enamel finish
Cover	Aluminium die-cast, enamel finish
Pedal	Aluminium die-cast, enamel finish
Protective shield	Same like enclosure
Degree of protection	IP 65 to IEC/EN 60529
Utilisation category	AC-15; DC-13
Rated working current	250 V AC: 6 A 230 V DC: 0.25 A
Back-up fuse	6 A gL/gG D-fuse
Ambient temperature	- 20 °C ... + 65 °C
Mechanical life	> 1 million operations



Foot switches Series EEx GFI and EEx GFSI

Dimension drawings (all dimensions in mm) - subject to alterations



05376E00

EEx GFI and EEx GFSI
Foot switches, single-pedal

We reserve the right to make alterations to the technical data, weights, dimensions, designs and products available without notice. The illustrations cannot be considered binding.