

Local control stations

Features

- The right size enclosure
- Optimum functionality thanks to the great variety of components
- Customised planning and implementation
- Certified to many standards

Description

For explosion-proof local controllers BARTEC offers an extensive range of polyester enclosures with screw fixing lid and hinged doors. The enclosures have been designed in accordance with the requirements of the "increased safety" type of protection.

Depending on the specification and number of equipment, various enclosure types and sizes are available. The control stations will be equipped according to your individual requirements with control units, alarm units, display units and bus interface modules.

The components are mounted either on DIN rails or installed on the front lid. Depending on the design and requirements, BARTEC not only supplies control units but also offers the complete wiring to terminal blocks.

BARTEC's local control stations are certified for the use in areas in which an explosion hazard exists from inflammable dust. The "Protection through housing" type of protection is used. The supply range includes enclosures made of aluminium, polyester and stainless steel. These are fitted with certified modules and glands at points of penetration in the wall of the enclosure. Evidence of heating up is kept for the parts built into the enclosure to comply with the maximum admissible surface temperature.

Fields of application

Chemical and petrochemical industry, process and plant engineering, pharmaceutical and food industry, OFF SHORE areas. Thanks to their great variety, the enclosure are particularly suited for local control stations and bus interface units.



➔ Explosion protection

Ex protection type

(depending on the components installed)
⊕ II 2(1)G EEx edqm ia resp. ib
[ia resp. ib] IIC T6, T5 resp. T4 for Zone 1
⊕ II 2D IP 65 T 80 °C for Zone 21

Ambient temperature

(special design on request)
-20 °C to +40 °C
-55 °C to +70 °C

Certification

PTB 02 ATEX 1159 for Zone 1
IBExU00ATEX1079 for Zone 21
(Further certifications on request)

➔ Technical data

Material

Type 07-3101
aluminium
ALSi 12, pressure or chill casting
RAL 7001 silver grey

Type 07-3103

glass-fibre reinforced polyester
RAL 9005, deep black

Type 07-3109

glass-fibre reinforced polyester
RAL 9011, graphite black

Type 07-3113

High-quality stainless steel 304

Type 07-3136

High-quality stainless steel 316L

Seals

EPDM (Standard)

-20 °C to +85 °C

PU (Standard at 07-3109)

-20 °C to +80 °C

Silicone

-55 °C to +100 °C

Mechanical strength (acc. to EN 50014)

Impact energy 7 Nm

Protection class

(higher degree of protection on request)

EN 60529/IEC 60529

IP 54/IP 65

■ **Electrical data**

Rated voltage

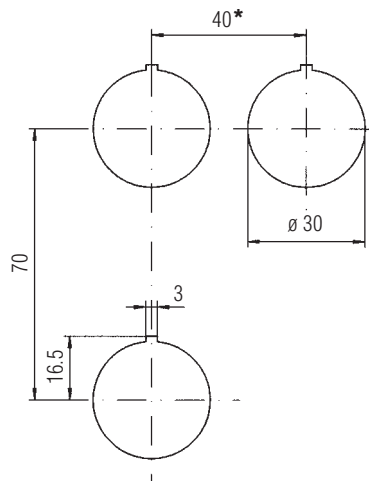
up to 1000 V

Rated current

max. 160 A depending on devices fitted

Mounting dimensions

for switching and light elements according to EN 60947-5-1



* recommended distance for mushroom pushbutton and emergency switch is 100 mm. Required distance for position selector with protective shroud is min. 60 mm.

Configuration data for control stations

Type of enclosure

07-31 -

Dimensions

Width _____ Height _____ Depth _____

Nominal voltage

AC _____ V / DC _____ V

Threaded glands
