

# MINIBOX 21 Applications

## 1 Application

The INTERTEC MINIBOX is well suited for space-saving and easy installation of instruments. The following examples represent a selection of proven installations.

## 2 Special Features

Flexible mounting rail systems allow for horizontal or vertical arrangement for direct mounting or remote installation.



## 3 Application Examples

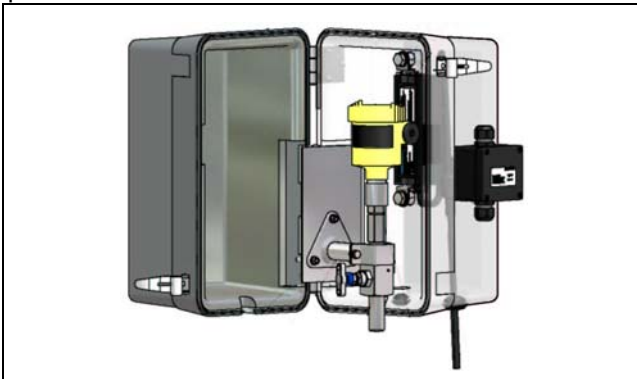
### Application No. 1

RMT3051C installed on mounting bridge (DS4000)



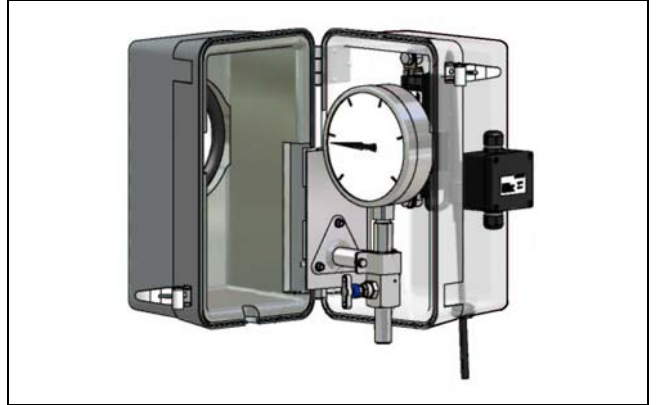
### Application No. 2

Pressure transmitter mounted on a mounting plate with double row of hinges (DSL) and freeze-protection heater



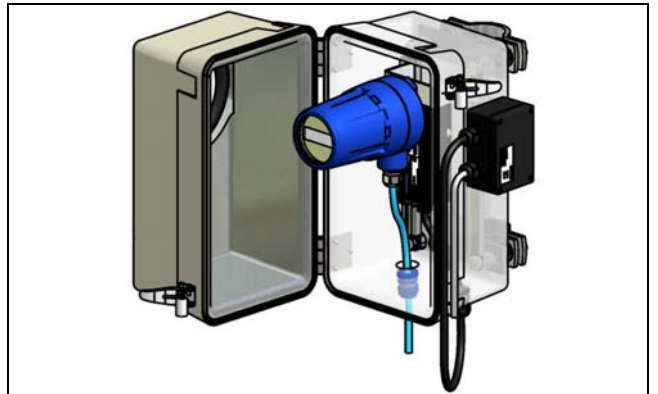
### Application No. 3

Pressure gauge mounted on a mounting plate with double row of hinges (DSL) and freeze-protection heater



### Application No. 4

Temperature transmitter/ field indicator with support bracket mounted on C-rails and freeze-protection heater



### Application No. 5

Direct mounting at the process flange with support bracket and double row of hinges (DSL), (DS 3006)



## MINIBOX 21 Applications

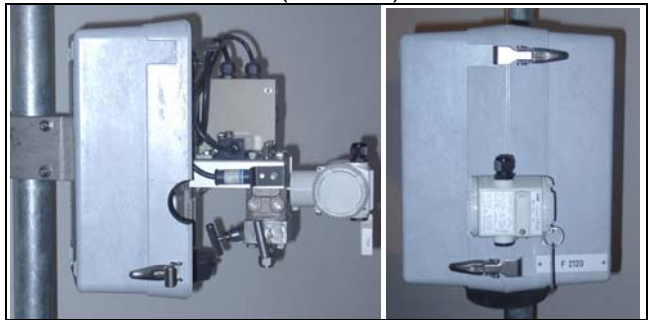
### Application No. 6 - Direct Mounting

Heated pressure measuring point with special ball valve and swivel flange (SAFELINK DS3002)  
 Heater: MINITHERM BLOCK-Heater  
 MINIBOX can be swivelled in any direction



### Application No. 9

BT-1 for dP-Transmitter and 3-way manifold, with MINITHERM and TAE (DS 4002)



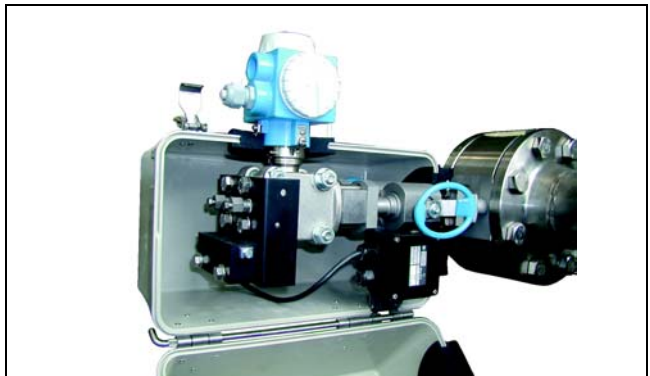
### Application No. 7

Pressure measurement with shut-off valve on mounting bridge,  
 Heater: MINITHERM BLOCK-Heater (DS 4001)



### Application No. 10 - Direct Mounting

Heated DP-measuring point on orifice with 2 special ball valves



### Application No. 8

Heated 3-way manifold on DP transmitter (external transmitter head)



### Application No. 11

Mounting with RS21 on 2" pipe stand

