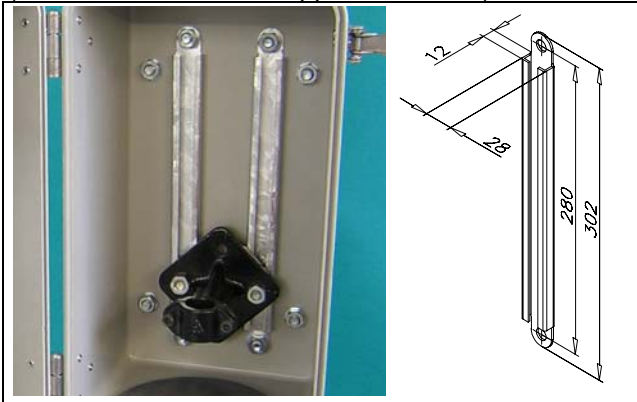


# MINIBOX 21 Mounting Accessories

## 1 Mounting Accessories (internal)

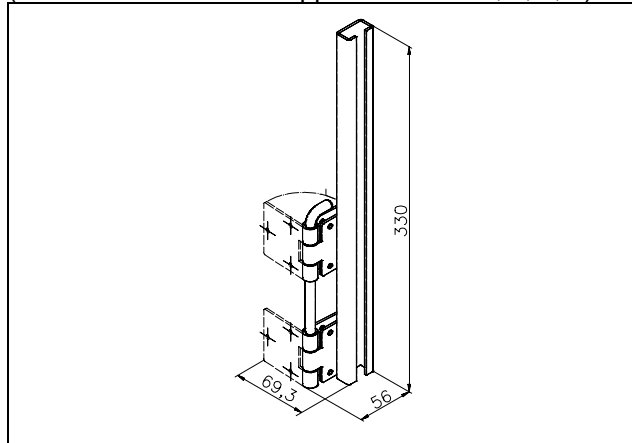
### 1.1 MS 50-QS

Mounting rail  
(see data sheet Kd381 Application No. 4)



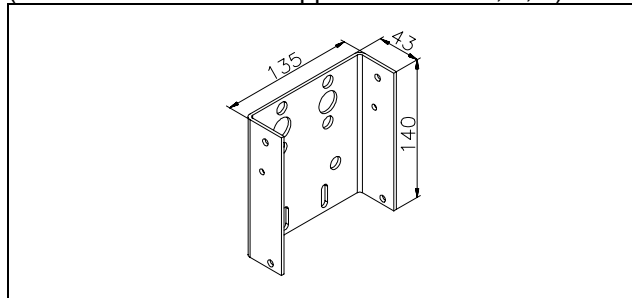
### 1.2 DSL

Double row of hinges and internal C-rail  
(see data sheet Kd381 Application Nos. 2, 3, 5, 6)



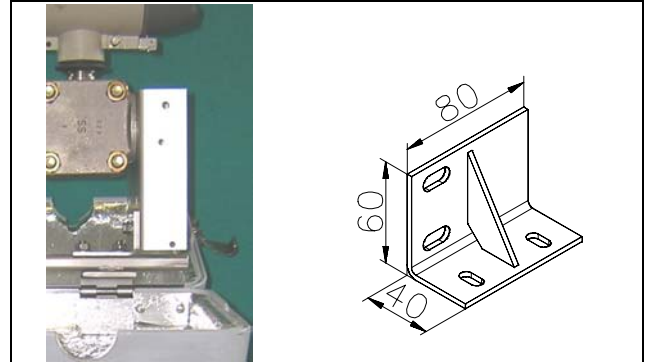
### 1.3 BT (Standard Support)

Adjustable support bracket for transmitter installation  
(see data sheet Kd381 Application Nos. 1, 7, 9)



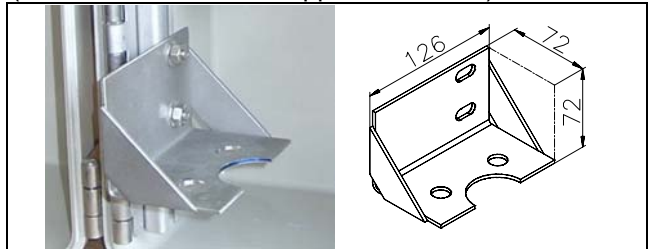
### 1.4 BT-1

(see data sheet Kd381 Application No. 9)



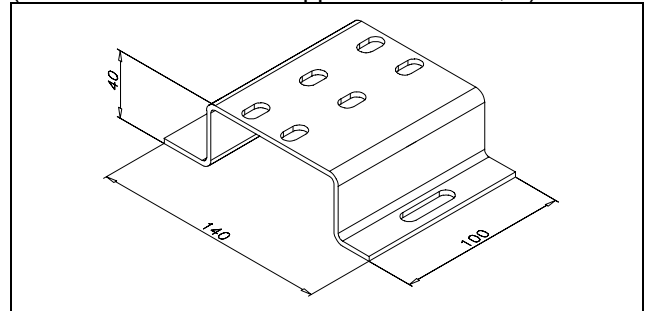
### 1.5 Bracket

(see data sheet Kd381 Application No. 5)



### 1.6 Mounting Bridge

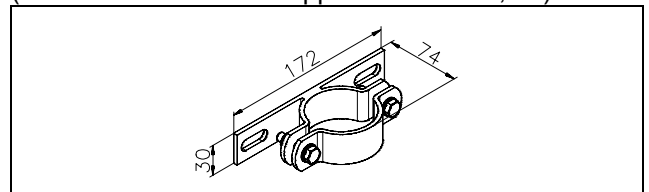
(see data sheet Kd381 Application Nos. 1, 7)



## 2 Mounting Accessories (external)

### 2.1 RS 21

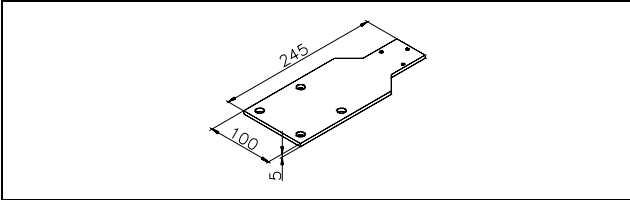
Mounting bracket for 2" pipe stand  
(see data sheet Kd381 Application Nos. 4, 11)



# MINIBOX 21 Mounting Accessories

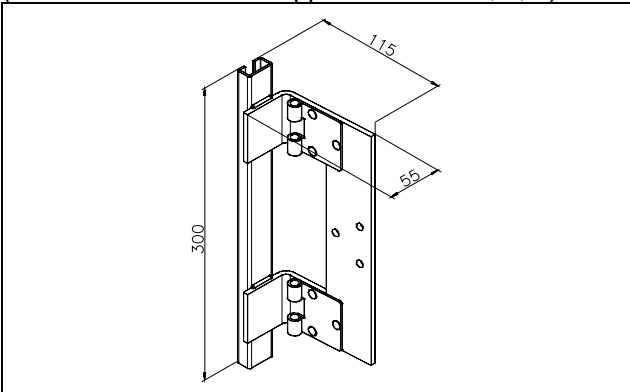
## 2.2 BR

Support for mounting of MINIBOX on 2" pipe stand (see data sheet Kd381 Application Nos. 1, 7, 9)



## 2.3 BU

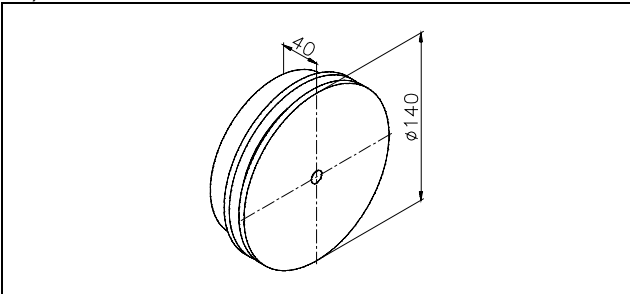
Universal mounting bracket with internal C-rail (DS4000; DS4001; DS4002;.....) (see data sheet Kd381 Application Nos. 1, 7, 9)



## 3 Entry Seals

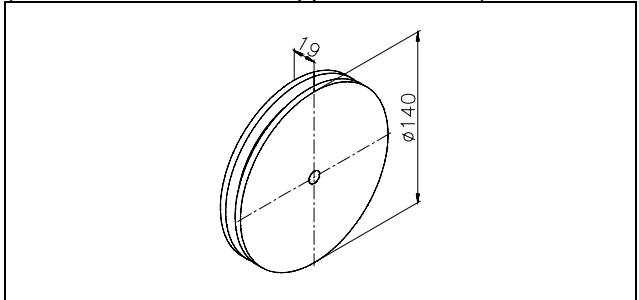
### 3.1 FLEXIPASS R

Entry seal for piping, 40 mm thick (see data sheet Kd381 Application Nos. 1, 5, 7, 8, 9, 10)



### 3.2 FLEXIPASS T

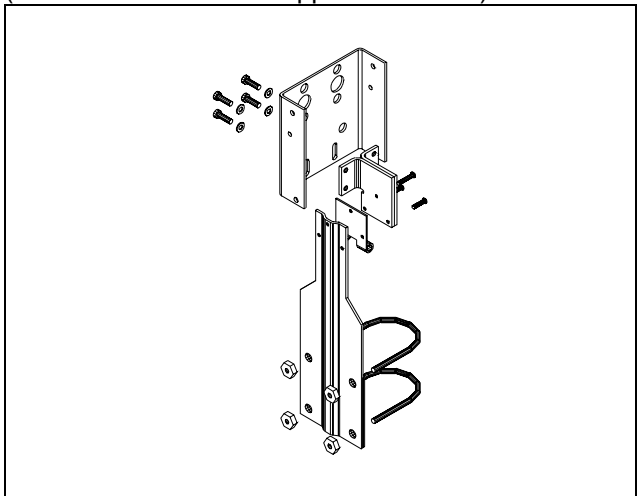
Entry seal for electronic parts of transmitter, 20 mm thick (see data sheet Kd381 Application No. 8)



## 4 Mounting Sets

### 4.1 BT + BR

(see data sheet Kd381 Application No. 8)



### 4.2 BU + BR

(see data sheet Kd381 Application Nos. 1, 7, 9)

