

# MINIBOX 21 Transmitter Enclosure

Made of hot-pressed glassfibre reinforced polyester (GRP)  
 Two-part construction: horizontal or vertical mounting possible  
 Space-saving storage  
 Approved by Germanischer Lloyd  
 Hardly inflammable and self-extinguishing  
 All metal parts in stainless steel

- Colour RAL 7032 light grey
- Weather-resistant
- Weight approx. 3 kg

Dimensions (approx.) H x W x D = 218 x 300 x 388mm

Heat transition coefficient K	without window	with window
Normal (without insulation)	1,8 W/K	1,9 W/K
arctic PP	0,6 W/K	0,7 W/K

### Standard Design

- SE2** Standard without cut-outs with 2 hinges and-2 clasps

### Optional Designs

- SV2** 2 Clasps
- SV4** 4 Clasps
- DSL** Double row of hinges with C-rail
- FS** Safety glass window  $\varnothing$  150 mm

### arctic Insulation

with PU-foam, not stackable one inside the other

- arctic PP** internal polypropylene lining
- arctic Alu** internal aluminium foil lining (for GO design)
- GO** antistatic design to avoid electrostatic charge accumulation to DIN EN IEC 60079-0

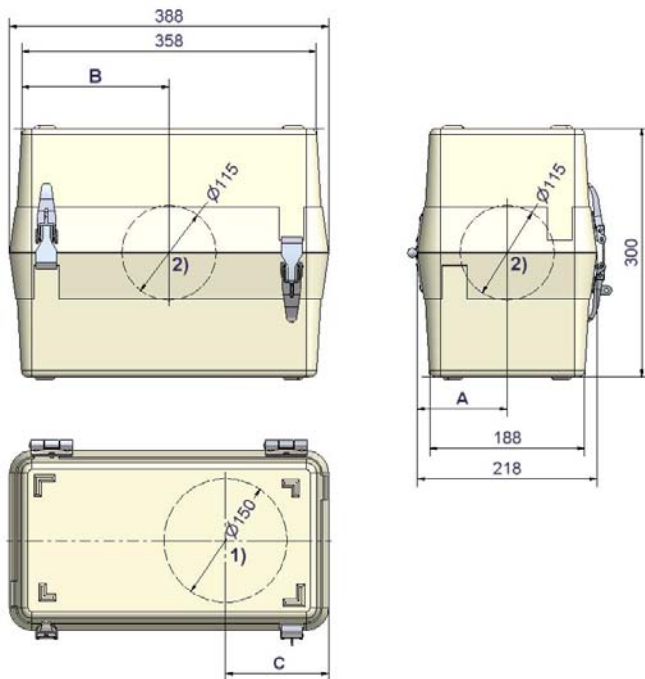
### Cut-outs

- Cut-out for FLEXIPASS R
  - Cut-out for FLEXIPASS T
  - Window cut-out,  $\varnothing$ 150mm  $C \geq 121$ mm
  - Special cut-out
- } Specify the dimensions and location of A and B (2) and/or C (1) with order placement

### Accessories

- FLEXIPASS R** for piping, 40 mm thick
- FLEXIPASS T** for transmitter, 20 mm thick
- BT** Support bracket (internal), stainless steel (anodized aluminium upon request) for transmitter installation, adjustable
- BU** Support with C-rail
- BR** Support bracket (external), stainless steel for installation of MINIBOX on pipestand
- RS 21** Mounting bracket for 2" pipestand
- MS 50-QS** Mounting rail

Horizontal Mounting



Vertical Mounting

