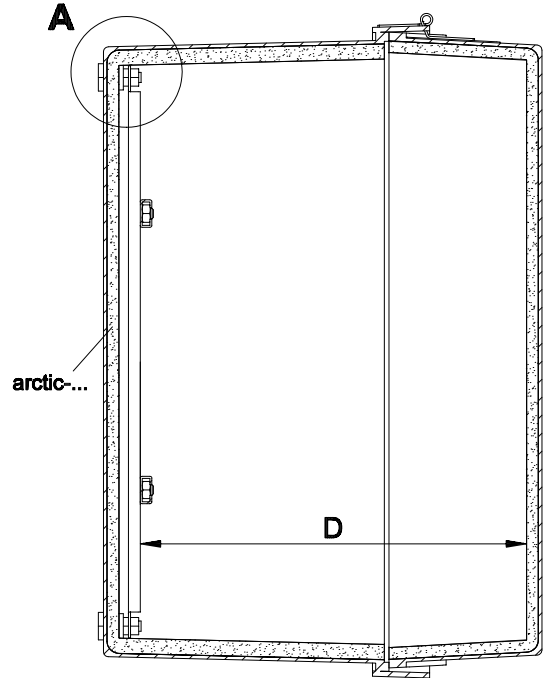
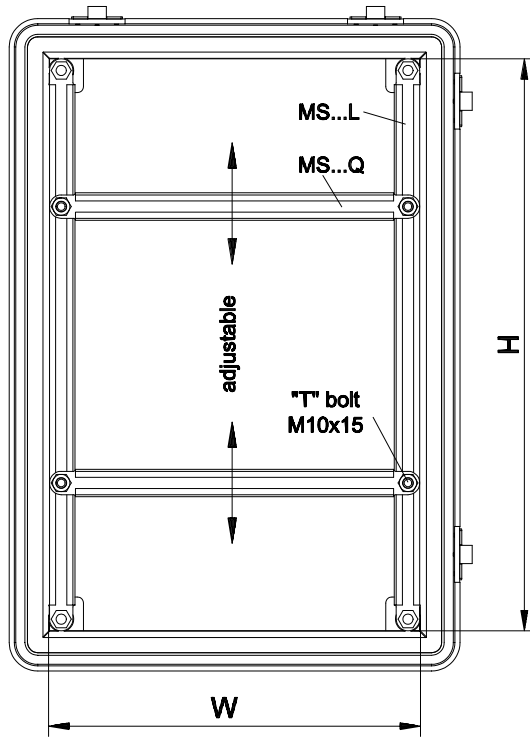


MULTIBOX – Inside Clearances

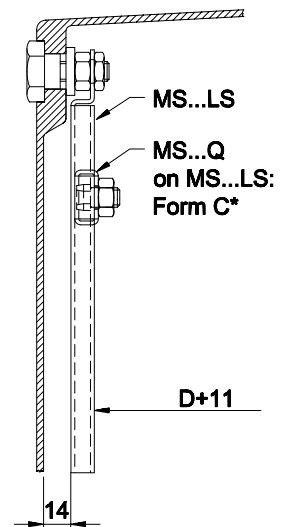
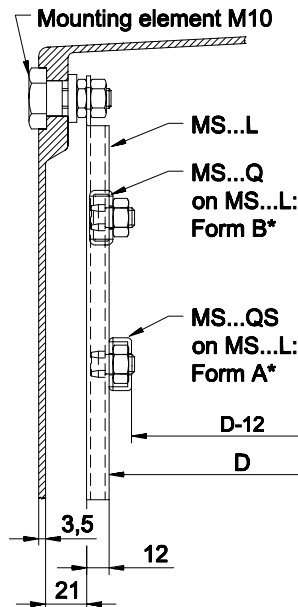


Detail A

in MULTIBOX with or without arctic-...

only in MULTIBOX without arctic-...

MULTIBOX	clear height H	clear width W	clear depth	
			D	D arctic-...
25	402	308	200	185
48			340	325
60	562	368	210	195
70			300	285
100			390	375
80	652	428	210	195
150			390	375
170			440	425



* Further details on mounting rail designs form A, B, C see data sheet Kd171-xe

In the case of insulated (foamed) MULTIBOX enclosures, inside tolerances may vary.

Please note that lid prop's and other hardware (e.g. mounting rails) inside the enclosure may need more space and may effect the inside clearances.