

MULTIBOX 100

Made of hot-pressed glassfibre reinforced polyester (GfP)
 Two-part construction, equipment can be installed in either the shallow or deep part.
 Stackable design for space saving storage and transport
 Approved by „Lloyds of Germany“
 Hardly inflammable and self-extinguishing
 4 mounting elements in stainless steel

- Colour: light grey, RAL 7032
- UV- resistant
- Protection class IP 65 / Nema 4x
- Neoprene seal
- Weight approx 9,5kg

Dimensions (approx) H x B x T = 640 x 440 x 430 mm

Heat transition coefficient K	without window	with window
without Insulation	6,8 W/K	7,4 W/K
arctic.....	1,9 W/K	2,5 W/K

Important accessories see catalogue

Standard

SV 4 clasps in stainless steel

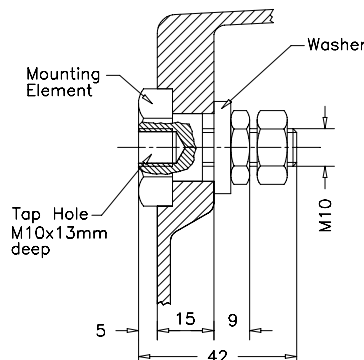
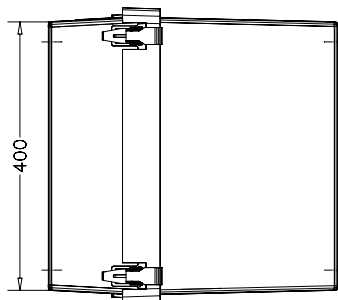
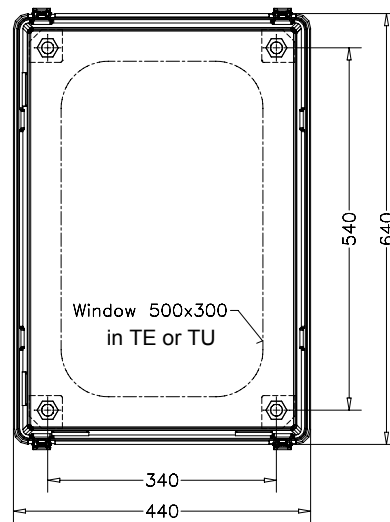
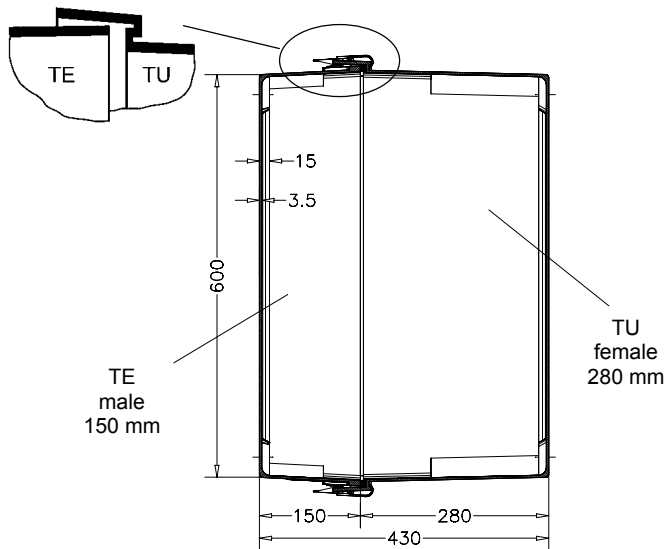
Optional designs

- SE** 2 hinges and 2 clasps in stainless steel
- DF** lid propstay in galvanized steel, fitted
- DFVA** lid propstay in stainless steel, fitted
- DFGF** lid propstay, gas compression spring

- FA** acrylic glass window
 - FS** safety glass window
 - ST** hinged door of GfP
 - STA** hinged door of acrylic glass
- } mounting in TE TU

arctic Insulation:

- PU-foam, not stackable
- arctic-PP** Polypropylen lining (standard)
 - arctic-Alu** Alu-foil lining (for GO)
 - GO** antistatic to avoid electrostatic charges according to EN IEC 60079-0 preparation for pressurization acc. to EN 50016, PTB-No. Ex-84/1118X
 - (Ex)p**



Ordering example: 100 SE FS TU -arctic-Alu GO