

# MULTIBOX 170

Made of hot-pressed glassfibre reinforced polyester (GfP)  
 Two-part construction, equipment can be installed in either the shallow or deep part.  
 Stackable design for space saving storage and transport  
 Approved by „Lloyds of Germany“  
 Hardly inflammable and self-extinguishing  
 4 mounting elements in stainless steel

- Colour: light grey, RAL 7032
- UV- resistant
- Protection class IP 65 / Nema 4X
- EPDM seal
- Weight approx 12,5kg

Dimensions (approx) H x B x T = 750 x 520 x 480 mm

Heat transition coefficient K	without window	with window
without Insulation	9,1 W/K	9,8 W/K
arctic.....	2,4 W/K	3,1 W/K

Importend accessories see catalogue

### Standard

**SV** 4 clasps in stainless steel

### Optional designs

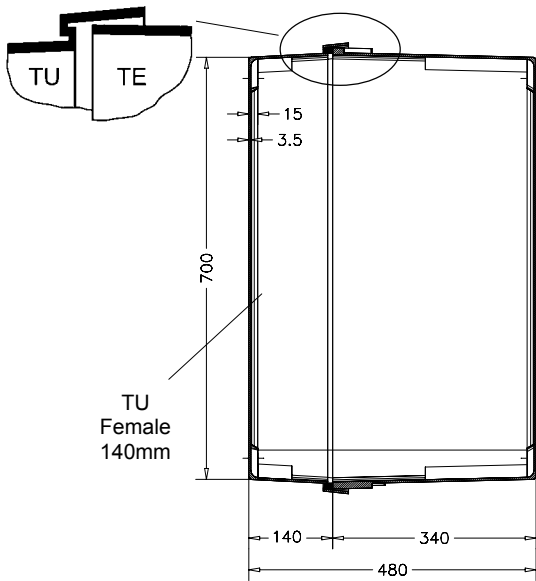
- SE** 2 hinges and 2 clasps in stainless steel
- DF** lid propstay in galvanized steel, fitted
- DFVA** lid propstay in stainless steel, fitted
- DFGF** lid propstay, gas compression spring

- FA** acrylic glass window
  - FS** safety glass window
  - ST** hinged door of GfP
  - STA** hinged door of acrylic glass
- } mounting in  TE  TU

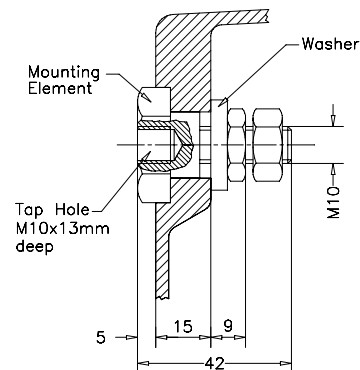
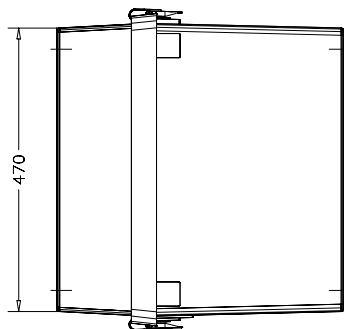
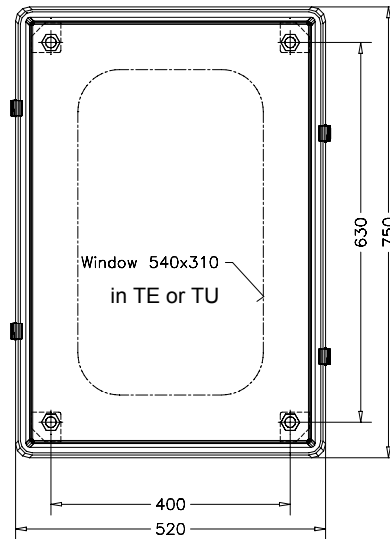
### arctic Insulation:

PU-foam, not stackable

- arctic-PP** Polypropylen lining (standard)
- arctic-Alu** Alu-foil lining (for GO)
- GO** antistatic to avoid electrostatic charges according to EN IEC 60079-0
- (Ex)p** preparation for pressurization acc. to EN 50016, PTB-No. Ex-84/1118X



TE Male 340mm



Ordering example: 170 FS SE FS TE –arctic-Alu GO