

MULTIBOX 60

Made of hot-pressed glassfibre reinforced polyester (GfP)
 Two-part construction, equipment can be installed in either the shallow or deep part.
 Stackable design for space saving storage and transport
 Approved by „Lloyds of Germany“
 Hardly inflammable and self-extinguishing
 4 mounting elements in stainless steel

- Colour: light grey, RAL 7032
- UV- resistant
- Protection class IP 65 / Nema 4X
- Neoprene seal
- Weight approx 8kg

Dimensions (approx) H x B x T = 640 x 440 x 250 mm

Heat transition coefficient K	without window	with window
without Insulation	4,5 W/K	5,1 W/K
arctic.....	1,3 W/K	1,9 W/K

Important accessories see catalogue

Standard

SV 4 clasps in stainless steel

Optional designs

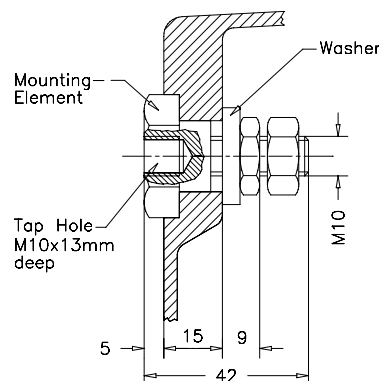
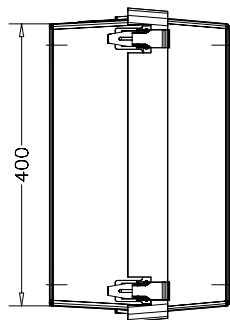
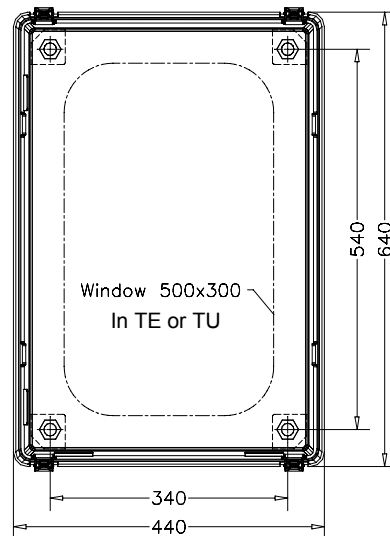
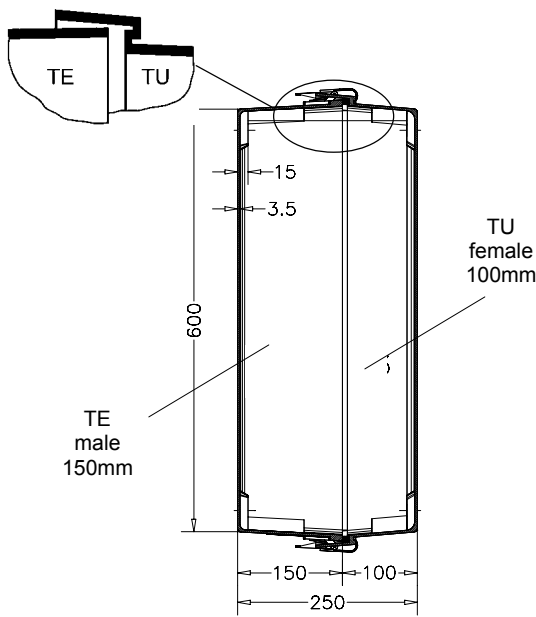
- SE** 2 hinges and 2 clasps in stainless steel
- DF** lid propstay in galvanized steel, fitted
- DFVA** lid propstay in stainless steel, fitted
- DFGF** lid propstay, gas compression spring

- FA** acrylic glass window
 - FS** safety glass window
 - ST** hinged door of GfP
 - STA** hinged door of acrylic glass
- } mounting in TE TU

arctic Insulation:

PU-foam, not stackable

- arctic-PP** Polypropylen lining (standard)
- arctic-Alu** Alu-foil lining (for GO)
- GO** antistatic to avoid electrostatic charges according to EN IEC 60079-0
- (Ex)p** preparation for pressurization acc. to EN 50016, PTB-No. Ex-84/1118X



Ordering example: 60 SE FS TU – arctic Alu GO