

# MULTIBOX 70

Made of hot-pressed glassfibre reinforced polyester (GfP)  
 Two-part construction, equipment can be installed in either the shallow or deep part.  
 Stackable design for space saving storage and transport  
 Approved by „Lloyds of Germany“  
 Hardly inflammable and self-extinguishing  
 4 mounting elements in stainless steel

- Colour: light grey, RAL 7032
- Neoprene seal
- Weight approx 8,5kg
- UV- resistant
- Protection class IP 65

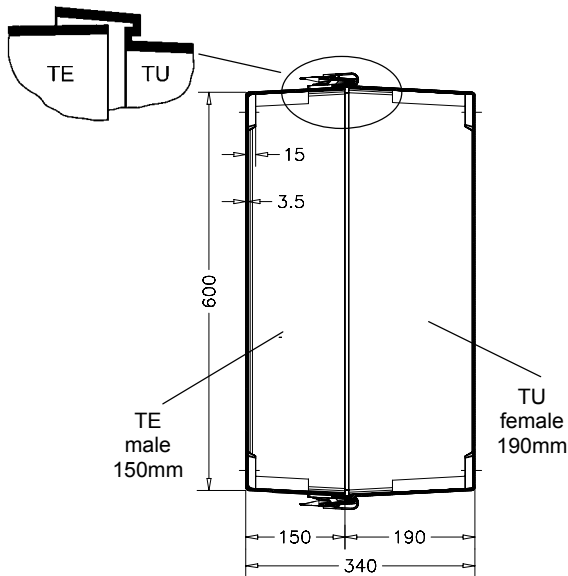
Dimensions (approx) H x B x T = 640 x 440 x 340 mm

Heat transition coefficient K	without window	with window
without Insulation	5,4 W/K	6,0 W/K
arctic.....	1,7 W/K	2,3 W/K

Importend accessories see catalogue

### Standard

**SV** 4 clasps in stainless steel



### Optional designs

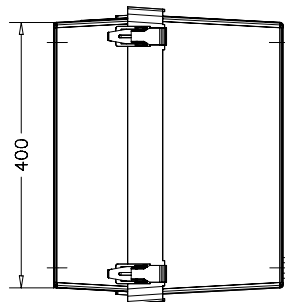
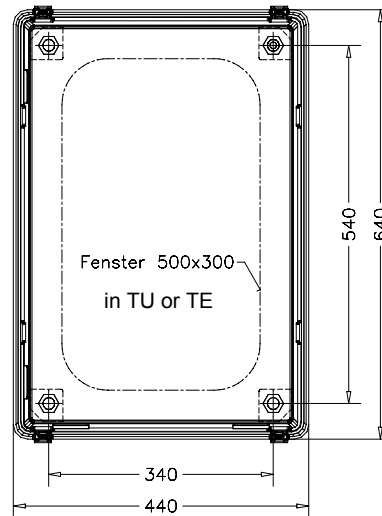
- SE** 2 hinges and 2 clasps in stainless steel
- DF** lid propstay in galvanized steel, fitted
- DFVA** lid propstay in stainless steel, fitted
- DFGF** lid propstay, gas compression spring

- FA** acrylic glass window
  - FS** safety glass window
  - ST** hinged door of GfP
  - STA** hinged door of acrylic glass
- } mounting in  TE  TU

### arctic Insulation:

PU-foam, not stackable

- arctic-PP** Polypropylen lining (standard)
- arctic-Alu** Alu-foil lining (for GO)
- GO** antistatic to avoid electrostatic charges according to EN IEC 60079-0
- (Ex)p** preparation for pressurization acc. to EN 50016, PTB-No. Ex-84/1118X



Ordering example: 70 SE FS TU – arctic-Alu GO

