

STAHL



Series Features:

- Color coding and pin configuration makes it physically impossible to mate plugs and receptacles of different voltages and current ratings (per IEC 60 309-2).
- Interlocked switch mechanism prevents accidental removal of plug from receptacle under load.
- Horsepower rated disconnect switch
- 20A, 30A, 63A and 125A models.



Plugs & Receptacles D-D7

SolConeX 8570/2 Series, 20A D1-D2
SolConeX 8571/2 Series, 30A D1-D2
CES 8579/2 Series, 63A D3
CES 8581/2 Series, 125A D3
CRP 8125/5 Series, Clean Room Receptacle Panels D6-D7

Our products are updated to the newest standard developments and technologies which makes it necessary to reserve the right to product changes without notice.





20A & 30A HAZARDOUS/CORROSIVE DUTY

Ordering Information

POLE/ WIRE	VOLTAGE (VAC) 50/60Hz	GRND. HOUR POS.	COLOR CODE	CATALOG NUMBER			
				20 AMPERE		30 AMPERE	
				RECEPTACLE	PLUG	RECEPTACLE	PLUG
2 POLE 3 WIRE	125	4	Yellow	8570/21-304	8570/22-304	-	-
	250	6	Blue	8570/21-306	8570/22-306	-	-
	480	7	Red	8570/21-307	8570/22-307	-	-
3 POLE 4 WIRE	3 ø 250	9	Blue	8570/21-409	8570/22-409	8571/21-409	8571/22-409
	3 ø 480	7	Red	8570/21-407	8570/22-407	8571/21-407	8571/22-407
	3 ø 600	5	Black	8570/21-405	8570/22-405	8571/21-405	8571/22-405
4 POLE 5 WIRE	3 øY 120/208	9	Blue	8570/21-509	8570/22-509	8571/21-509	8571/22-509
	3 øY 277/480	7	Red	8570/21-507	8570/22-507	8571/21-507	8571/22-507
	3 øY 347/600	5	Black	8570/21-505	8570/22-505	8571/21-505	8571/22-505

CLASSIFICATIONS

FM APPROVED File No. 3021899

NEC- Class I, Zones 1 & 2 AEx de IIC T*
Class I, Division 2, Groups A,B,C,D
Class II, Divisions 1 & 2, Groups E,F,G
Class III

SP File No. 1729614

CEC- Class I, Zones 1 & 2 Ex de IIC T*
Class I, Division 2, Groups A,B,C,D
Class II, Divisions 1 & 2, Groups E,F,G
Class III

* Ambient Temperature Range and T Rating:
8570/2 +55°C (+131°F) Max., T6
-30°C (-22°F) Min.

8571/2 +55°C (+131°F) Max., T5
+40°C (+104°F) Max., T5
-30°C (-22°F) Min.

Lower temperature upon request

Ex Zones 1, 2, 21 & 22

8570: Ⓜ II 2 G Ex ed [ia] IIC T6
Ⓜ II 2 D IP 66 T80°C
PTB 03 ATEX 1227

8571: Ⓜ II 2 G Ex ed [ia] IIC T6
Ⓜ II 2 D IP 66 T80°C
PTB 04 ATEX 1060

INTRODUCTION

The 8570 and 8571 Series of plugs and switched receptacles provide unique solutions for electrical connections in hazardous and corrosive environments in the following industries:

Chemical Pharmaceutical
Petrochemical Offshore Energy
Refining Coal Mining

They are made almost entirely from non-metallic material, and are available in 20A and 30A models.

This system makes the mating of plugs and receptacles of different voltages and current ratings physically impossible as required by the National Electrical Code. The plugs and switched receptacles are color coded according to voltage rating and ground pin position.

Each receptacle contains a horsepower rated disconnect switch. The circuit cannot be energized until the plug is inserted and the switch is turned to the ON position. The plug cannot be removed until the switch is turned to the OFF position, thus de-energizing the circuit. The switch handle is padlockable in the ON or OFF position.

Technical Data for Receptacles

DESCRIPTION	20A RECEPTACLE	30A RECEPTACLE
ENVIRONMENTAL SUITABILITY	Type 3, 4, 4X, IP66	
ENCL. MATERIAL	Polyamide	
WEIGHT	3 lbs.	4.5 lbs.
TERMINAL CAPACITY	2 Wires, 16 to 10 AWG	2 Wires, 14 to 8 AWG
TEMPERATURE RATING OF WIRE	Ta < 45°C use 75°C wire min. Ta > 45°C use 90°C wire min.	
BOTTOM ENTRY	3/4" NPT HUB	1" NPT HUB
AUXILIARY CONTACT RATING	see bottom of page D2	
HORSEPOWER RATINGS	VOLTAGE 3 PHASE 1PHASE 600 VAC 15 HP N/A 480 VAC 10 HP 5 HP 240 VAC 5 HP 3 HP 120 VAC N/A 1.5 HP	VOLTAGE 3 PHASE 600 VAC 25 HP 480 VAC 20 HP 240 VAC 10 HP — —
BACK-UP FUSE	Properly sized J Fuse to the NEC/CEC	
DIMENSIONS	see pages D4 and D5	



Technical Data for Plugs

DESCRIPTION	20A PLUG	30A PLUG
ENVIRONMENTAL SUITABILITY	Type 3, 4, 4X, IP66	
ENCL. MATERIAL	Polyamide	
WEIGHT	1 lbs.	1.3 lbs.
TERMINAL CAPACITY	1 Wire, 16 to 12 AWG	1 Wire, 14 to 8 AWG
TEMPERATURE RATING OF CORD	75°C or 90°C	
CORD O.D.	0.3" to 0.8"	0.6" to 1.1"
DIMENSIONS	see pages D4 and D5	

Ordering Information

POLE/ WIRE	VOLTAGE (VAC) 50/60Hz	GRND. HOUR POS.	COLOR CODE	CATALOG NUMBER	
				20 AMPERE	30 AMPERE
				FLANGE RECEPT.	FLANGE RECEPT.
2 POLE 3 WIRE	125	4	Yellow	8570/25-304	-
	250	6	Blue	8570/25-306	-
	480	7	Red	8570/25-307	-
3 POLE 4 WIRE	3 ϕ 250	9	Blue	8570/25-409	8571/25-409
	3 ϕ 480	7	Red	8570/25-407	8571/25-407
	3 ϕ 600	5	Black	8570/25-405	8571/25-405
4 POLE 5 WIRE	3 ϕ Y 120/208	9	Blue	8570/25-509	8571/25-509
	3 ϕ Y 277/480	7	Red	8570/25-507	8571/25-507
	3 ϕ Y 347/600	5	Black	8570/25-505	8571/25-505

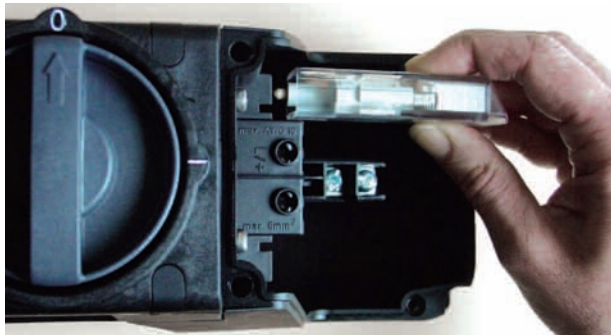
Use plug as specified on page D1



Technical Data for Flange Receptacles

DESCRIPTION	20A RECEPTACLE	30A RECEPTACLE
ENVIRONMENTAL SUITABILITY	Type 3, 4, 4X, IP66 But not higher than enclosure	
ENCL. MATERIAL	Polyamide	
WEIGHT	3 lbs.	4.5 lbs.
TERMINAL CAPACITY	2 Wires, 16 to 10 AWG	2 Wires, 14 to 8 AWG
TEMPERATURE RATING OF WIRE	Ta \leq 45°C use 75°C wire Ta > 45°C use 90°C wire	
AUXILIARY CONTACT RATING	see below	
HORSEPOWER RATINGS	VOLTAGE 3 PHASE 1PHASE 600 VAC 15 HP N/A 480 VAC 10 HP 5 HP 240 VAC 5 HP 3 HP 120 VAC N/A 1.5 HP	VOLTAGE 3 PHASE 600 VAC 25 HP 480 VAC 20 HP 240 VAC 10 HP —
BACK-UP FUSE	Properly sized J Fuse to the NEC/CEC	
DIMENSIONS	see pages D4 and D5	

Auxiliary Contact Blocks for Receptacles 8570 and 8571



Optional Snap-in Auxiliary Contact Blocks	Catalog Number
Auxiliary Contact Block NC, A600 (600V AC, 10A)	85 708 05 76 0
Auxiliary Contact Block NO, A600 (600V AC, 10A)	85 708 06 76 0
Auxiliary Contact Block NC for I.S. Circuit	85 708 07 76 0
Auxiliary Contact Block NO for I.S. Circuit	85 708 08 76 0



CLASSIFICATIONS

File No. 3021899

NEC- Class I, Zones 1 & 2 AEx de IIC T*
Class I, Division 2, Groups A,B,C,D
Class II, Divisions 1 & 2, Groups E,F,G
Class III

File No. 1729614

CEC- Class I, Zones 1 & 2 Ex de IIC T*
Class I, Division 2, Groups A,B,C,D
Class II, Divisions 1 & 2, Groups E,F,G
Class III

* Ambient Temperature Range and T Rating:
8570/2 +55°C (+131°F) Max., T6
-30°C (-22°F) Min.
8571/2 +55°C (+131°F) Max., T5
+40°C (+104°F) Max., T5
-30°C (-22°F) Min.

Zones 1, 2, 21 & 22
See page D1

INTRODUCTION

When more than one receptacle is required in one enclosure, the flange receptacles 8570/25 and 8571/25 offer the perfect solution. They are incomplete devices and must be installed in the wall of an enclosure in compliance with the mounting, spacing, casualty and segregation requirements of the ultimate application. R.STAHL offers completely assembled Receptacle Panels in any configuration in either FRP or stainless steel enclosures according to specifications.

ACCESSORIES

The wall and flange receptacles 8570 and 8571 accommodate up to two auxiliary contact blocks. They can be installed by snapping them into either side of the terminal block. They are not synchronized with the main contacts (Trailing - ON; Leading - OFF). There are two standard blocks one NC and one NO. The standard blocks are rated A600 (600VAC, 10A). If only one is fitted the contact may be used at its rating. If two are installed the current is limited to 5A on both contacts. There are also two I.S. blocks for intrinsically safe circuits, one NC and one NO and they both meet the requirements for simple apparatus as defined in Article 504 of NFPA 70. They all have cage clamp terminals for two wires 16 to 14 AWG.



CLASSIFICATIONS

NEC- Class I, Zones 1 & 2 AEx de IIC T*
Class I, Division 2, Groups A,B,C,D
Class II, Divisions 1 & 2, Groups E,F,G
Class III

CEC- Class I, Zones 1 & 2 Ex de IIC T*

Class I, Division 2, Groups A,B,C,D
Class II, Divisions 1 & 2, Groups E,F,G
Class III



8579/2:
Ⓜ II 2G Ex ed [ib] IIC T*
Ⓜ II 2D IP 66 T90°C, T105°C
PTB 01 ATEX 1150

8581/2:
Ⓜ II 2G Ex ed [ib] IIC T*
Ⓜ II 2D IP 66 T80°C, T95°C
PTB 01 ATEX 1161

* Ambient Temperature Range and T Rating:

8579/2 +55°C (+131°F) Max., T4
+50°C (+122°F) Max., T5
-45°C (-49°F) Min.

8581/2 +55°C (+131°F) Max., T5
+40°C (+104°F) Max., T6
-45°C (-49°F) Min.

Each receptacle contains an horsepower rated disconnect switch. The circuit cannot be energized until the plug is inserted and the switch is turned to the ON position. The plug cannot be removed until the switch is turned to the OFF position, thus de-energizing the circuit. The switch handle is padlockable in the ON or OFF position.

VALUE POINTS

The disconnect switch includes an auxiliary contact (late make, early break) as standard. This can be used for connection to a pilot light which can be used to signal power ON or power OFF, at a remote location.

HAZARDOUS LOCATION APPLICATION DATA

When CES plugs and switched receptacles are installed in Class II, Division 1 and 2, Group E or F classified locations, a dust cap must be installed when the plug is not engaged in the receptacle. See the technical data tables for dust caps catalog numbers.

Ordering Information

POLE/ WIRE	VOLTAGE (VAC) 50/60Hz	GRND. HOUR POS.	COLOR CODE	CATALOG NUMBER			
				63 AMPERE		125 AMPERE	
				RECEPTACLE	PLUG	RECEPTACLE	PLUG
3 POLE 4 WIRE	3 ø 250	9	Blue	8579/21-409	8579/22-409	8581/21-409	8581/22-409
	3 ø 480	7	Red	8579/21-407	8579/22-407	8581/21-407	8581/22-407
	3 ø 600	5	Black	8579/21-405	8579/22-405	8581/21-405	8581/22-405
4 POLE 5 WIRE	3 øY 120/208	9	Blue	8579/21-509	8579/22-509	8581/21-509	8581/22-509
	3 øY 277/480	7	Red	8579/21-507	8579/22-507	8581/21-507	8581/22-507
	3 øY 347/600	5	Black	8579/21-505	8579/22-505	8581/21-505	8581/22-505

Technical Data for Receptacles

DESCRIPTION	63A RECEPTACLE	125A RECEPTACLE
TEST CERTIFICATIONS	FM- J.I. OR6A2.AX PTB-01 ATEX 1150 CSA LR 99480-25	FM- J.I. OR6A2.AX PTB-01 ATEX 1161 CSA LR 99480-25
ENVIRONMENTAL SUITABILITY	Type 3, 3R,4X; IP66	
ENCL. MATERIAL	Fiberglass Reinforced Polyester	
WEIGHT	18 lbs.	50 lbs.
DIMENSIONS	see page D5	
TERMINAL CAPACITY	2 Wires, 2 AWG	2 Wires, 3/0 AWG
TEMP. RATING OF WIRE/CORD	75°C min.	
BOTTOM ENTRY	1 1/2" NPT HUB	2" NPT HUB
AUXILIARY CONTACT RATING	63A LATE MAKE- EARLY BREAK	20A LATE MAKE- EARLY BREAK
HORSEPOWER RATING	VOLTAGE 3 PHASE 600 VAC 60 HP 480 VAC 40 HP 240 VAC 20 HP	VOLTAGE 3 PHASE 600 VAC 125 HP 480 VAC 100 HP 240 VAC 40 HP
BACK-UP FUSE	Receptacle is suitable for use on a circuit capable of delivering not more than 10,000 rms symmetrical amperes, 600V max. when protected by J fuses, 100A Max. 200A Max.	
RECEPTACLE MOUNTING BOLTS	THREE 5/16" BOLTS	THREE 3/8" BOLTS

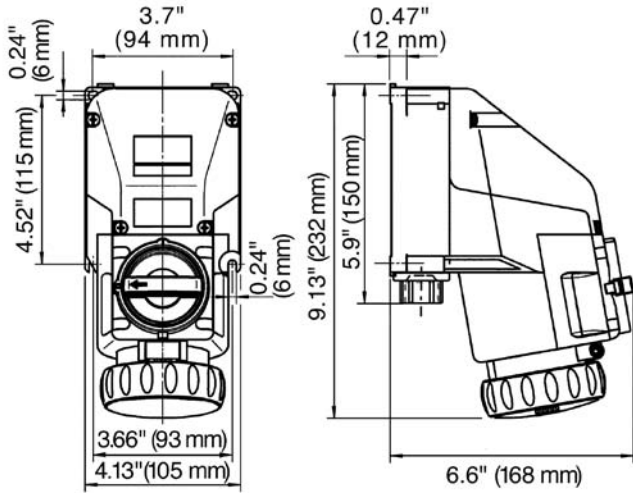


Technical Data for Plugs

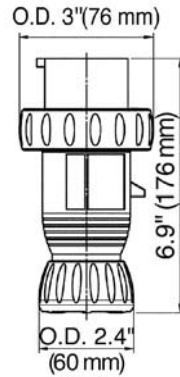
DESCRIPTION	63A PLUG	125A PLUG
TEST CERTIFICATIONS	FM- J.I. OR6A2.AX PTB-01 ATEX 1150 CSA LR 99480-25	FM- J.I. OR6A2.AX PTB-01 ATEX 1161 CSA LR 99480-25
ENVIRONMENTAL SUITABILITY	Type 3, 3R, 4X; IP66	
ENCL. MATERIAL	Polyamide	
WEIGHT	2 lbs.	3 lbs.
DIMENSIONS	see page D5	
TERMINAL CAP. (NUMBER X SIZE)	6 AWG	1 AWG
TEMP. RATING OF WIRE/CORD	90°C	
CORD O.D.	≤ 1.4"	≤ 2.0"
DUST CAPS	CATALOG NUMBER	
4/5 WIRE	85 798 01 14 0	85 818 01 14 0



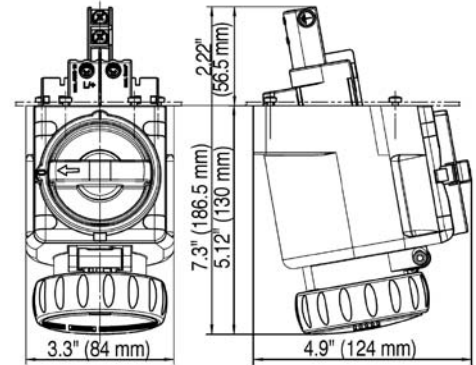
DIMENSIONS



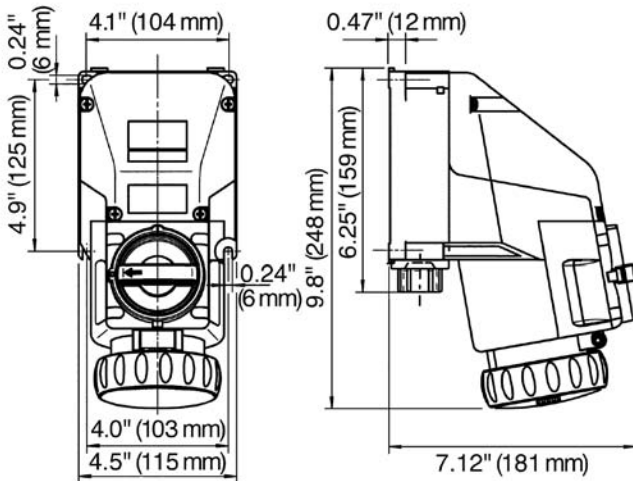
WALL RECEPTACLE 20A
2 POLE - 3 WIRE
8570/21-3••



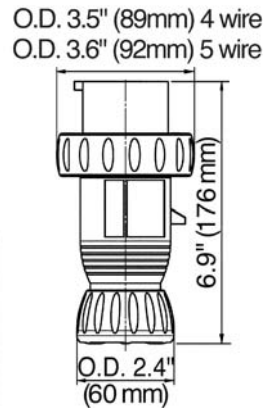
PLUG 20A
2 POLE - 3 WIRE
8570/22-3••



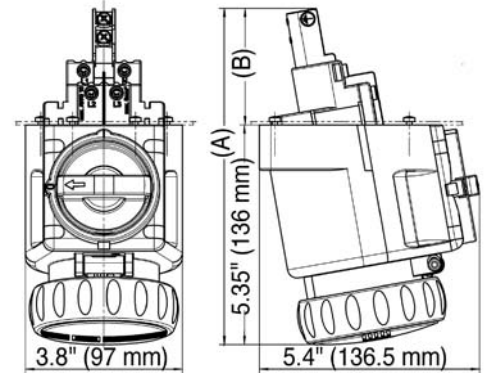
FLANGE RECEPTACLE 20A
2 POLE - 3 WIRE
8570/25-3••



WALL RECEPTACLE 20A
3 POLE - 4 WIRE & 4 POLE 5 WIRE
8570/21-•••



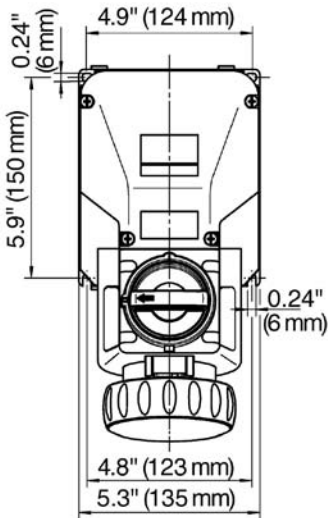
PLUG 20A
3 POLE - 4 WIRE &
4 POLE - 5 WIRE
8570/22-•••



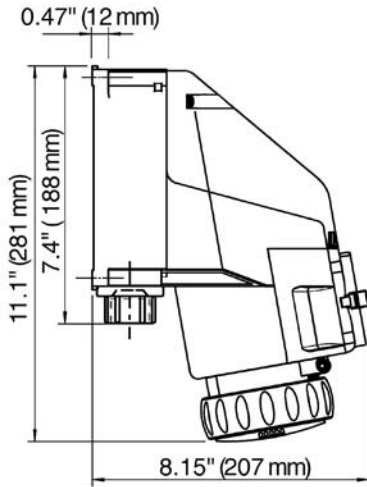
FLANGE RECEPTACLE 20A
3 POLE - 4 WIRE & 4 POLE 5 WIRE
8570/25-•••

Versions	Dimensions (approx.)	
	A	B
405, 407	8.2" (208 mm)	2.8" (72 mm)
409	7.7" (195.5 mm)	2.3" (59.5 mm)
505, 507	8.2" (208 mm)	2.8" (72 mm)
509	7.5" (190.5 mm)	2.1" (54.5 mm)

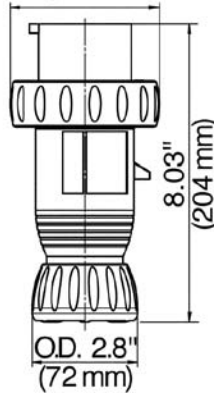
DIMENSIONS



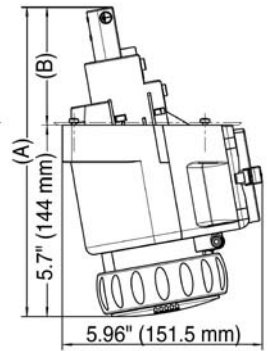
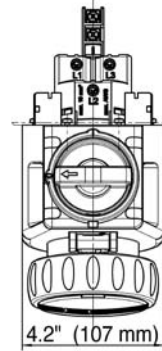
WALL RECEPTACLE 30A
3 POLE - 4 WIRE & 4 POLE - 5 WIRE
8571/21-•••



O.D. 3.9" (99mm) 4 wire
 O.D. 4" (102mm) 5 wire

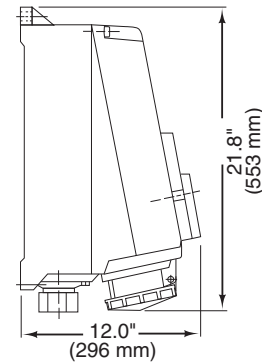
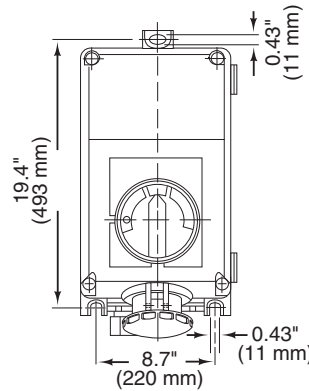
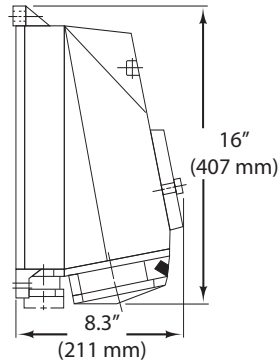
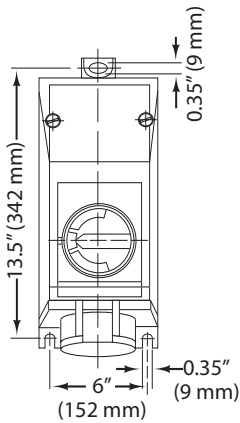


PLUG 30A
3 POLE - 4 WIRE &
4 POLE - 5 WIRE
8571/2-•••



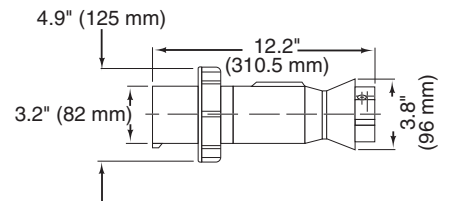
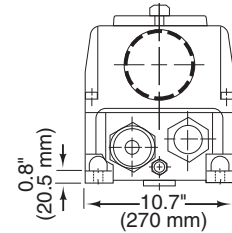
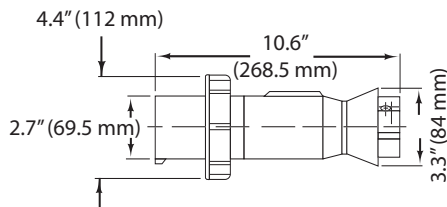
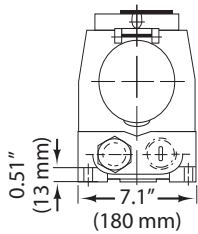
FLANGE RECEPTACLE 30A
3 POLE - 4 WIRE &
4 POLE - 5 WIRE
8571/25-•••

Versions	Dimensions (approx.)	
	A	B
405, 407	9.2" (234 mm)	3.5" (90 mm)
409	8.5" (217 mm)	2.8" (73 mm)
505, 507	9.2" (234 mm)	3.5" (90 mm)
509	8.5" (217 mm)	2.8" (73 mm)



WALL RECEPTACLE & PLUG 63A
3 POLE - 4 WIRE & 4 POLE - 5 WIRE
8579/2-••••

WALL RECEPTACLE & PLUG 125A
3 POLE - 4 WIRE & 4 POLE - 5 WIRE
8581/2-••••



CLEAN ROOM RECEPTACLE PANELS



Single Panel



Duplex Panel

CLASSIFICATIONS

NEC & CEC

Class I, Division 2, Groups A,B,C,D
 Class I, Zone 2, Group IIC T6
 Enclosure Type 3 & 3R



II 2G Ex ed IIC T5/T6, IP65
 PTB No. 01 ATEX 1001

Applications

Designed specifically for hazardous (classified) location clean rooms, such as found in the pharmaceutical industry, where equipment must be easy to clean and free of contaminant holding cavities. Electrical devices should also be flush wall mounted with concealed wiring, to minimize contamination.

Features

Available with single or duplex receptacles, in 16 or 30 amps with a variety of voltages, and pin configurations. See page D7.

Color coding and pin configuration makes it physically impossible to mate plugs and receptacles of different voltages and current ratings (per IEC 60 309-2)

Flush mounting, smooth contours for easy cleaning.

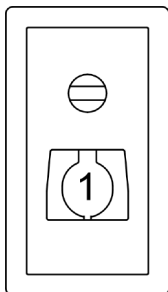
Hazardous (classified) locations suitability.

Enclosure made of 316 stainless steel with concealed gasket.

Interlocked switch mechanism prevents accidental removal of plug from receptacle under load.

The internal disconnect switch includes an auxiliary contact for indicating control circuits.

Ordering Information

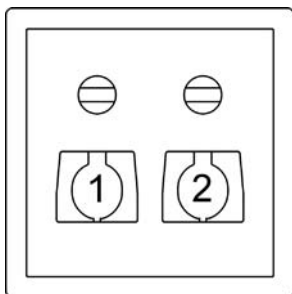


Single Panel

CRP Single Panel
 with Receptacle

(choose receptacle from "ordering information" table on page D7 and fill in the red blanks)

8125/5073
 8800/23 _-0-21- _ _ _ _



Duplex Panel

CRP Duplex Panel
 Receptacle left
 Receptacle right

(choose receptacles from "ordering information" table on page D7 and fill in the red blanks)

In addition, select mating plug(s) from information on page D7

8125/5083
 8800/23 _-0-21- _ _ _ _
 8800/23 _-0-21- _ _ _ _

CLEAN ROOM RECEPTACLE PANELS

Ordering Information

POLE/ WIRE	VOLTAGE (VAC) 50/60Hz	GRND. HOUR POS.	COLOR CODE	CATALOG NUMBER			
				16 AMPERE		30 AMPERE	
				RECEPTACLE	PLUG	RECEPTACLE	PLUG
2 POLE 3 WIRE	125	4	Yellow	8800/231-0-21-304	8570/22-304	—	—
	250	6	Blue	8800/231-0-21-306	8570/22-306	—	—
	480	7	Red	8800/231-0-21-307	8570/22-307	—	—
3 POLE 4 WIRE	3 ø 250	9	Blue	8800/231-0-21-409	8570/22-409	8800/232-0-21-409	8571/22-409
	3 ø 480	7	Red	8800/231-0-21-407	8570/22-407	8800/232-0-21-407	8571/22-407
	3 ø 600	5	Black	8800/231-0-21-405	8570/22-405	8800/232-0-21-405	8571/22-405
4 POLE 5 WIRE	3 øY 120/208	9	Blue	8800/231-0-21-509	8570/22-509	8800/232-0-21-509	8571/22-509
	3 øY 277/480	7	Red	8800/231-0-21-507	8570/22-507	8800/232-0-21-507	8571/22-507
	3 øY 347/600	5	Black	8800/231-0-21-505	8570/22-505	8800/232-0-21-505	8571/22-505

Technical Data

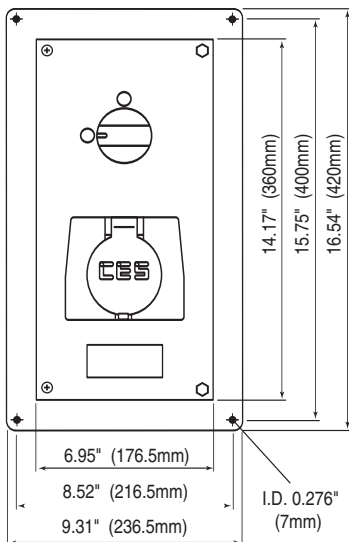
DESCRIPTION	16A RECEPTACLE	30A RECEPTACLE
ENVIRONMENTAL PROTECTION	Type 3, 3S, IP65	
TERMINAL CAPACITY MAX.	1 wire, 10 AWG 4mm ²	1 wire, 8 AWG 10mm ²
TEMP. RATING OF WIRE/CORD	75°C min.	
BACK-UP FUSE	20A (Class J) Max.	40A (Class J) Max.
FREQUENCY	50/60 Hz.	
MATERIAL	Enclosure: Stainless Steel 316T, polished Cover Gasket: Polyurethane, formed in place Switch Handle: Stainless Steel 316T Receptacle Flange: Polyester	
COVER FIXING	Cover Hinges on the right Stainless Steel	
AMBIENT TEMP.	40°C (104°F) Max.	-20°C (-5°F) Min.
ENTRY HARDWARE	See Section J	

Technical Data

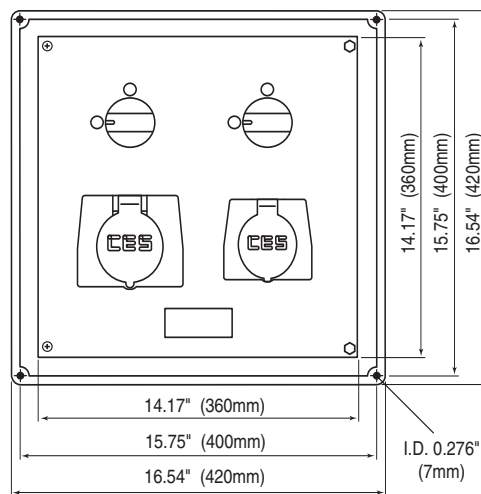
DESCRIPTION	16A PLUG	30A PLUG
ENVIRONMENTAL PROTECTION	Type 4X, IP66,	
TERMINAL CAPACITY MAX.	1 wire, 12 AWG 4mm ²	1 wire, 8 AWG 10mm ²
TEMP. RATING OF WIRE/CORD	75°C min.	
FREQUENCY	50/60 Hz.	
MATERIAL	Polyamide	
AMBIENT TEMP.	40°C (104°F) Max.	-20°C (-5°F) Min.

For Plug Dimensions see pages D4 and D5.

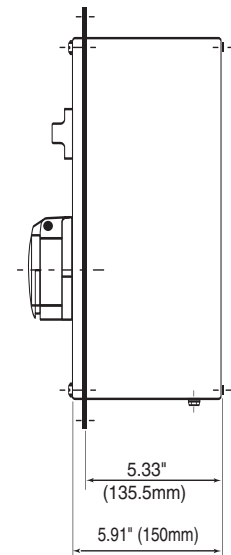
Receptacle Panel Dimensions



Single Receptacle Panel



Duplex Receptacle Panel



Single/Duplex Receptacle Profile