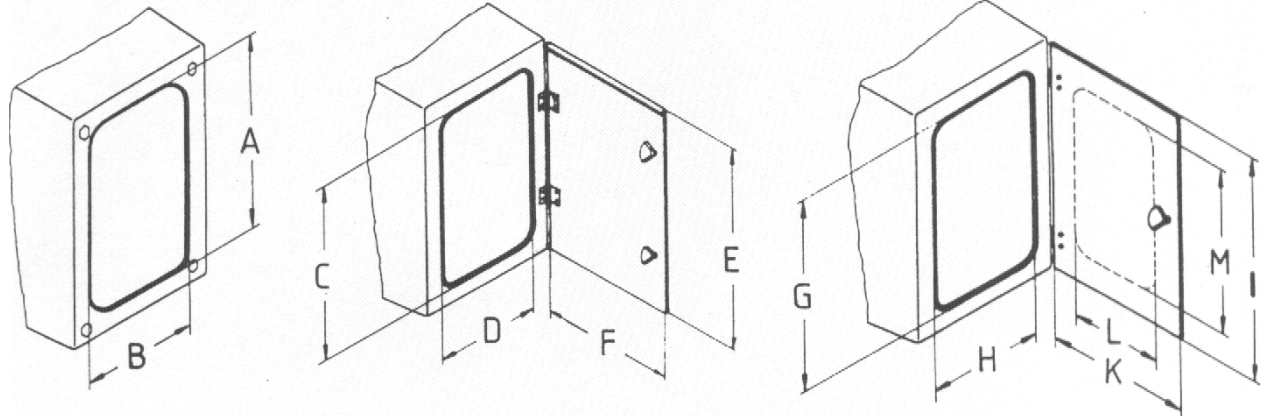




## Windows and Doors of Protection-Boxes



- F** Version with window
- FA** Window of plexiglas
- FS** Window of safety glass

- STA** Version with hinged plexiglas door

- ST** Version with hinged door of GRP
- STF** Version with hinged door and window

Please specify desired position of window or door, i.e. in the male part (TE) or in the female part (TU) (order designation: e.g. FA TE or FA TU)

Window		MULTIBOX Type							
Type	Sizes (mm)	25	48	60	70	80	100	150	170
<b>F</b>	A	360	360	500	500	540	500	540	540
	B	260	260	300	300	310	300	310	310
	C	376	376	514	514	574	514	574	574
<b>STA</b>	D	248	248	316	316	367	316	367	367
	E	420	420	586	586	678	586	678	678
	F	320	320	386	386	451	386	451	451
	G			514	514	574	514	574	574
	H			312	312	367	312	367	367
<b>ST</b>	I			600	600	700	600	700	700
	K			400	400	470	400	470	470
	L			210	210	300	210	300	300
	M			420	420	500	420	500	500
Number of handles		1	1	1	1	2	1	2	2